

CASE FINISH	CURRENT (AMPS)	WORKING VOLTAGE				MAXIMUM DC RESISTANCE (OHMS)	MAXIMUM VOLTAGE DROP		MINIMUM CAPACITANCE (uF)	MIN. INSERTION LOSS PER MIL-STD-220, NO LOAD, +25°C												
		-55°C TO +85°C		-55°C TO +125°C			DC	AC		14 KHz	30 KHz	50 KHz	75 KHz	100 KHz	150 KHz	300 KHz	500 KHz	1 MHz	10 MHz	100 MHz	1 GHz	10 GHz
		AC	DC	AC	DC																	
SOLDER	5	---	--	125(400HZ)	200	0.15	0.75	---	0.15	--	--	--	--	5	8	14	--	26	55	--	70	--

PART MARKING:

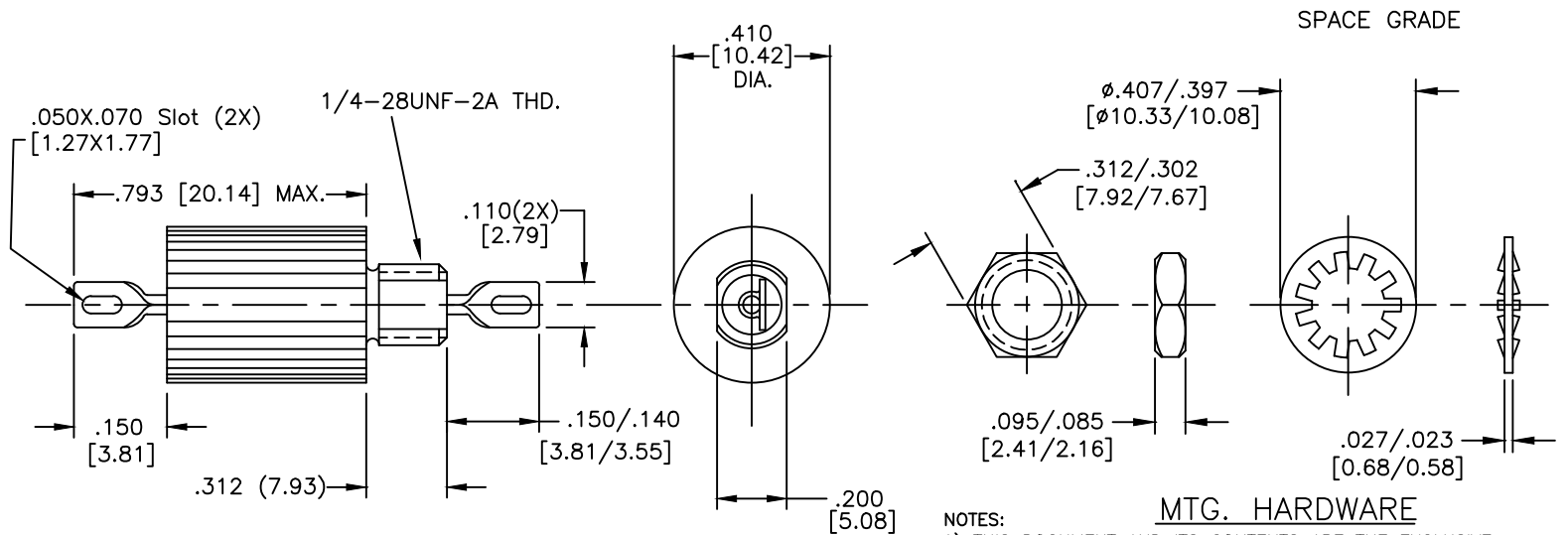
51-311-041BP
OLSP2 DATE CODE

PACKAGE MARKING:

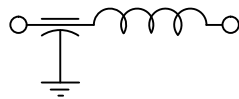
51-311-041BP
OLSP2 DATE CODE
200VDC 5A
125 VAC 400HZ
QTY.

MARKING NOTES:

N/A



SCHEMATIC



NOTES:

- THIS DOCUMENT AND ITS CONTENTS ARE THE EXCLUSIVE PROPERTY OF API TECHNOLOGIES CORP (API) AND CONTAINS API CONFIDENTIAL PROPRIETARY INFORMATION WHICH SHALL NOT BE COPIED, DISCLOSED, REPRODUCED OR USED FOR ANY OTHER PURPOSE WHATSOEVER UNLESS WRITTEN PERMISSION IS GRANTED BY API TECHNOLOGIES.
- MOUNTING TORQUE NOT TO EXCEED 7 in-lbs.
- CAP VS TEMP BIASED:
TCVC "BR" +15%/-40% AT RATED VOLTAGE FROM -55° TO +125°C

MTG. HARDWARE

apitech FAIRVIEW PENNSYLVANIA

Down. FLAK	Description Low Pass EMI Filter
Date 3-10-22	
Engr. LEANDRO	51-311-041BP
Sheet 1 of 1	

UNLESS OTHERWISE SPECIFIED DIMENSIONS ARE IN INCHES [MILLIMETERS]
DO NOT SCALE
THIRD ANGLE PROJECTION

TOLERANCES UNLESS OTHERWISE SPECIFIED
Fractions ±
Dec. .xx±
Dec. .xxx± .010
Angles ±0° 30'
CODE IDENT. NO. OLSP2

01	00	REV. NO.
CN 53093	CN 50362	CHANGE NOTICE

Quality Products From The Specialists In Electro-Magnetic Compatibility

NOTES:

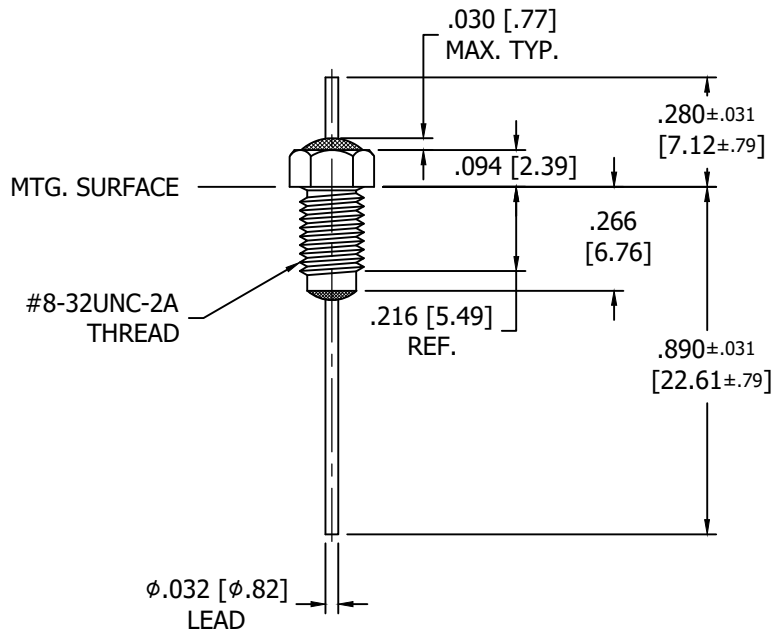
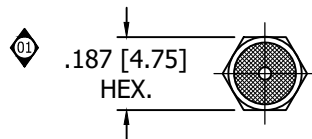
1) THIS DOCUMENT AND ITS CONTENTS ARE THE EXCLUSIVE PROPERTY OF API TECHNOLOGIES CORP (API) AND CONTAINS API CONFIDENTIAL PROPRIETARY INFORMATION WHICH SHALL NOT BE COPIED, DISCLOSED, REPRODUCED OR USED FOR ANY OTHER PURPOSE WHATSOEVER UNLESS WRITTEN PERMISSION IS GRANTED BY API TECHNOLOGIES.

2) MAXIMUM MOUNTING TORQUE: 4 IN-LBS

3) HARDWARE IS INCLUDED

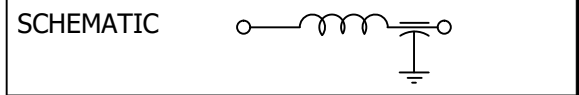
4) CAP VS TEMP BIASED:

TCVC "BR" +15%/-40% AT RATED VOLTAGE FROM -55° TO +125°C



SPACE GRADE

LEAD FINISH: SOLDER	
BUSHING FINISH: SILVER	
CAPACITANCE	22nF
TEMP. RANGE	-55°C TO 125°C
CURRENT	10 AMP MAX.
WORKING VOLTAGE	125°C 100 VDC MAX.
D.C. RESISTANCE	.01 Ohms MAX.
MIN. I.L. PER MIL-STD-220 AT 25°C NO LOAD	
FREQ. MHz	I.L. (db)
1	10
10	30
100	42
1 GHz	60
10 GHz	60



MARKING:

PART: 51-712-067BP
 BAG: API: 51-712-067BP
 0LSP2
 DATE CODE
 100VDC
 125°C
 10 AMPS
 QTY/BAG (100 MAX.)

PACKAGE: TO BE MARKED SAME AS THE BAG.

	01	00	REV. NO.	TOLERANCES UNLESS OTHERWISE SPECIFIED
			CHANGE NOTICE	Dec. .x±
				Dec. .xx±
	ECN 53094	ECN 50378		Dec. .xxx± .010
				Angles ± 0° 30'
				CODE IDENT. NO. 0LSP2

		FAIRVIEW PENNSYLVANIA	
Dwn. Hassett	Date 3-10-22	Description	FEED THRU RESIN SEAL FILTER
Apvd. Leandro	Scale NONE	51-712-067BP	

NOTES:

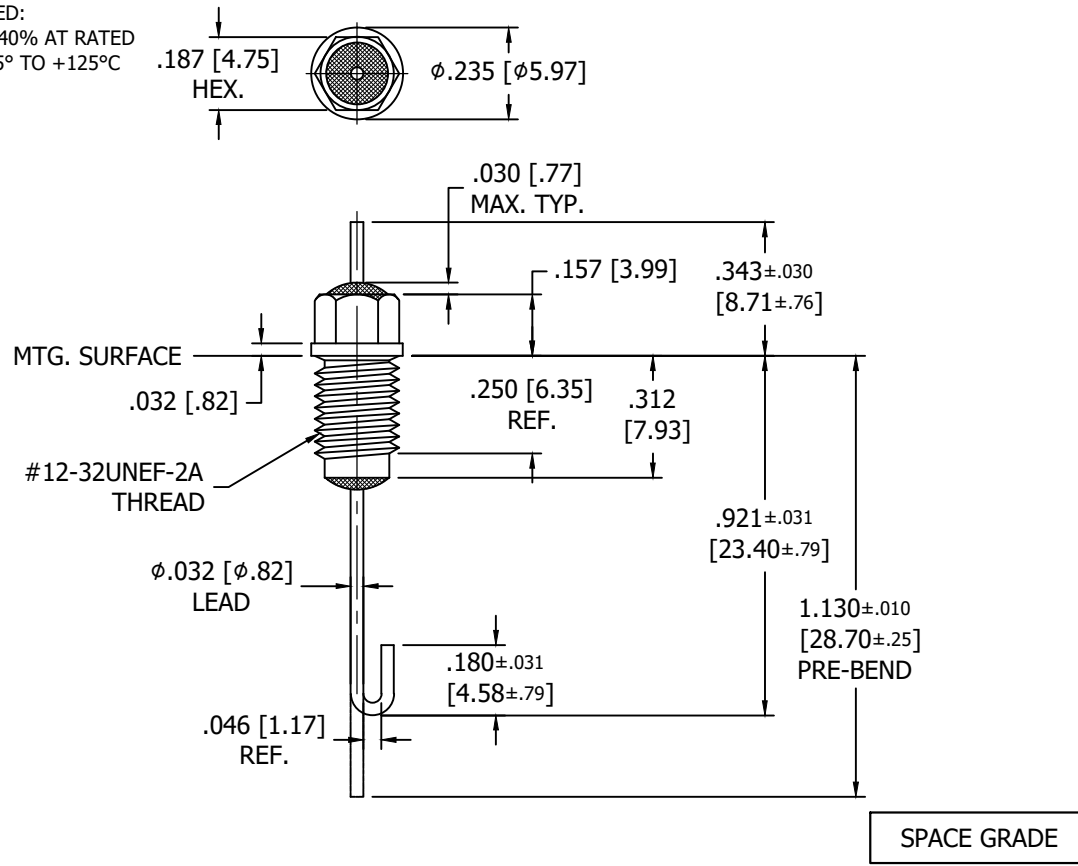
1) THIS DOCUMENT AND ITS CONTENTS ARE THE EXCLUSIVE PROPERTY OF API TECHNOLOGIES CORP (API) AND CONTAINS API CONFIDENTIAL PROPRIETARY INFORMATION WHICH SHALL NOT BE COPIED, DISCLOSED, REPRODUCED OR USED FOR ANY OTHER PURPOSE WHATSOEVER UNLESS WRITTEN PERMISSION IS GRANTED BY API TECHNOLOGIES.

2) MAXIMUM MOUNTING TORQUE: 6 IN.-LBS.

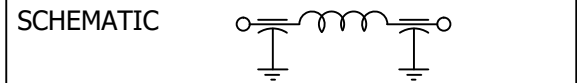
3) HARDWARE IS INCLUDED.

4) CAP VS TEMP BIASED:

TCVC "BR" +15%/-40% AT RATED VOLTAGE FROM -55° TO +125°C



LEAD FINISH: SOLDER	
BUSHING FINISH: SILVER	
CAPACITANCE	25nF GMV
TEMP. RANGE	-55°C TO 125°C
CURRENT	10 AMP MAX.
WORKING VOLTAGE	125°C 100 VDC MAX.
D.C. RESISTANCE	.01 Ohms MAX.
MIN. I.L. PER MIL-STD-220 AT 25°C NO LOAD	
FREQ. MHz	I.L. (db)
5	15
20	60
50	60
100	65
500	65
1-10 GHz	65



MARKING:
 PART: 51-714-056BP
 BAG: API: 51-714-056BP
 0LSP2
 DATE CODE
 100VDC
 125°C - MAX. OPER. TEMP.
 10 AMPS
 QTY/BAG (100 MAX.)
 PACKAGE: TO BE MARKED SAME AS THE BAG.

	02	01	00	REV. NO.	TOLERANCES UNLESS OTHERWISE SPECIFIED		FAIRVIEW PENNSYLVANIA
	ECN 53307	ECN 53094	ECN 50378	CHANGE NOTICE	Dec. .x± Dec. .xx± Dec. .xxx± .010 Angles ± 0° 30'		
					CODE IDENT. NO. 0LSP2	Apvd. Leandro Scale NONE	51-714-056BP