

## Model 1443A Subminiature, SMA Connectors

dc to 18.0 GHz  
 5 Watts

 **RoHS**



**CONNECTOR:** SMA connector per MIL-STD-348 interface dimensions - mate nondestructively with SMK, 3.5mm, 2.92mm and SMA connectors per MIL-C-39012 .

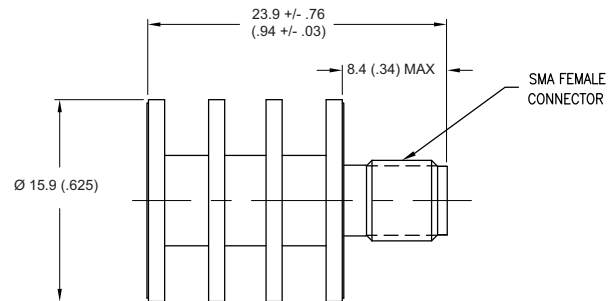
Choice of male (-2) or female (-1) connector.

**CONSTRUCTION:** Black, finned aluminum body, stainless steel connector; gold plated beryllium copper contacts.

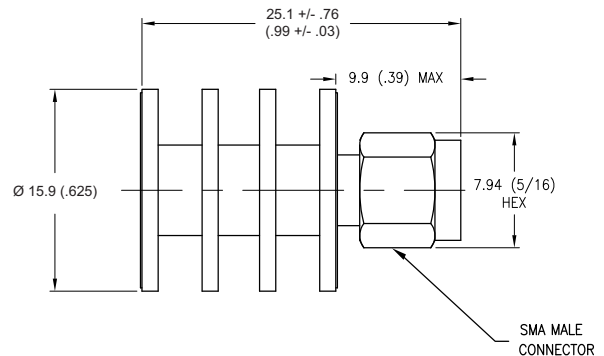
**WEIGHT:** 10 g (0.35 oz)

**PHYSICAL DIMENSIONS:**

### Model 1443A-1:



### Model 1443A-2:



NOTE: All dimensions are given in mm (inches) and are maximum, unless otherwise specified.

### Features

- /// **Compact Construction** - Lowest size/power ratio.
- /// **Precision Injection Molded Connector.**
- /// **Low SWR.**

### Specifications

**NOMINAL IMPEDANCE:** 50 Ω

**FREQUENCY RANGE:** dc to 18.0 GHz

#### MAXIMUM SWR:

Frequency (GHz)	SWR
dc - 18	1.15

**POWER RATING:** 5 watts **average** (mounted horizontally assuming unobstructed air flow and natural convection around unit) to 25°C ambient temperature, derated linearly to 0.5 watts @ 100°C. 500 watts **peak** (5 μsec pulse width; 0.5% duty cycle).

**TEMPERATURE RANGE:** -55°C to +100°C

**TEST DATA:** Swept data plots of SWR from 50 MHz to 18 GHz is available at additional cost.