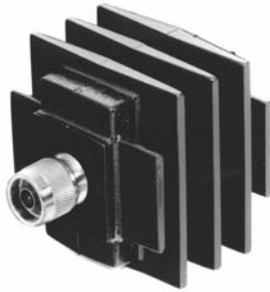


Model 1440 High Power, N or SMK Connectors Convection Cooled

dc to 6.0 GHz
100 Watts

RoHS



Features

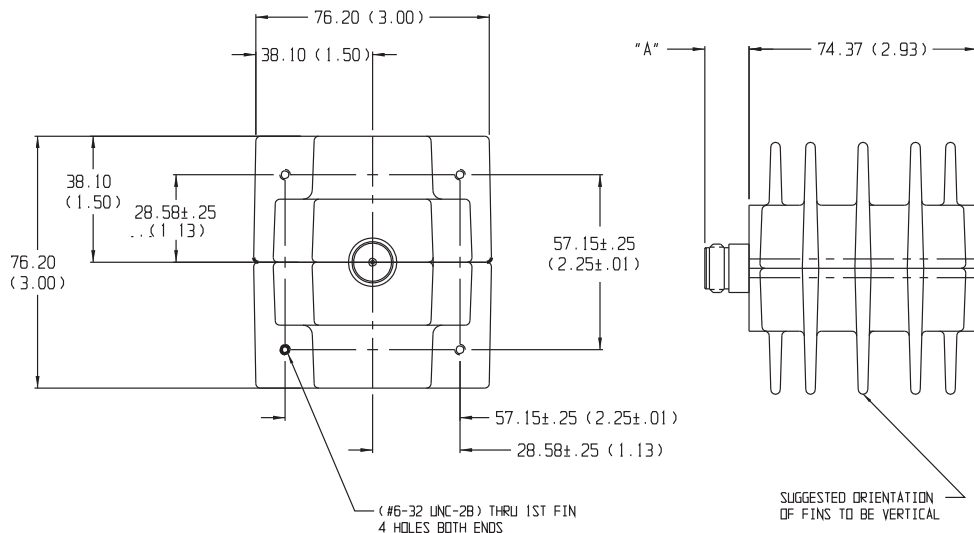
- /// **Compact Construction** - Lowest size/power ratio.
- /// **Low SWR**
- /// **Rugged Construction** - Quality connector with special high temperature support bead.
- /// **Ideal for Wireless Applications.**

Specifications

NOMINAL IMPEDANCE: 50 Ω

FREQUENCY RANGE: dc to 6.0 GHz

PHYSICAL DIMENSIONS:



Model #	DIM A	Connector Type
1440-1	12.7 (0.50)	2.92mm female
1440-2	14.0 (0.55)	2.92mm male
1440-3	15.0 (0.59)	N female
1440-4	22.9 (0.90)	N male

MAXIMUM SWR:

Frequency (GHz)	SWR
dc - 6	1.15

POWER RATING: 100 watts average (mounted horizontally assuming unobstructed air flow and natural convection around unit) to 25°C ambient temperature, derated linearly to 10 watts @ 125°C. 10 kilowatts peak (5 μsec pulse width; 0.5 % duty cycle).

TEMPERATURE RANGE: -55°C to +125°C

TEST DATA: Swept data plots of SWR from 50 MHz to 6 GHz.

CONNECTOR: Type N connector per MIL-STD-348 interface dimensions - mate nondestructively with MIL-C-39012 connector. Choice of male (-4) or female connector (-3).

SMK (2.92mm) connector mates nondestructively with SMA per MIL-C-39012, 3.5mm and other 2.92mm (SMK) connector. Choice of male (-2) or female connector (-1).

CONSTRUCTION: Black, finned aluminum body, stainless steel connector; gold plated beryllium copper center contacts.

WEIGHT: 500 g (18 oz)

NOTE: All dimensions are given in mm (inches) and are maximum, unless otherwise specified.