

Model 1430
Medium Power, N & 3.5mm Connectors
Convection Cooled

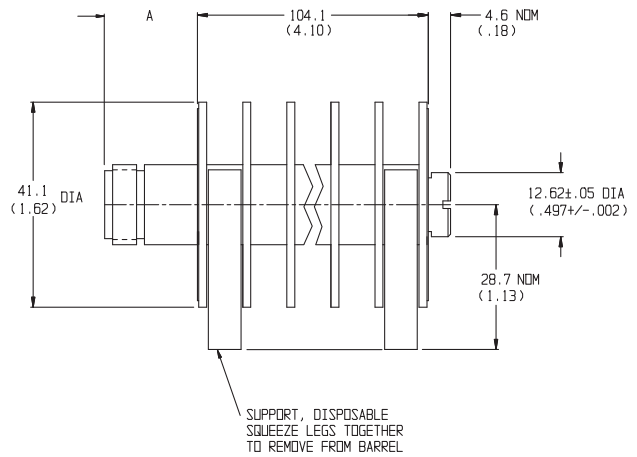
dc to 18.0 GHz
50 Watts



CONSTRUCTION: Black, finned aluminum body, stainless steel connector; gold plated beryllium copper female contact or stainless steel male contact.

WEIGHT: 175 g (6 oz)

PHYSICAL DIMENSIONS:



Features

- /// Designed to meet environmental requirements of MIL-D-39030.
- /// Rugged injection molded connector.
- /// 1 Kilowatt Peak Power

Specifications

NOMINAL IMPEDANCE: 50 Ω

FREQUENCY RANGE: dc to 18.0 GHz

MAXIMUM SWR:

Frequency (GHz)	SWR
dc - 8	1.15
8 - 18	1.30

POWER RATING: 50 watts **average (mounted horizontally assuming unobstructed air flow and natural convection around unit) @ 25°C ambient temperature, derated linearly to 5 watts @ 125°C. 1 kilowatt peak (5 μsec pulse width; 2.5% duty cycle).**

INTERMODULATION (Model 1430-X-LIM Only): IM3 (Reflected) = -100 dBc with two input signals @ 869 MHz and 891 MHz with an average power of +43 dBm each.

TEMPERATURE RANGE: -55°C to +125°C

TEST DATA: Swept data plots of SWR from 50 MHz to 18 GHz is available at additional cost.

CONNECTOR: Type N connector - mate nondestructively with MIL-C-39012 connector. Choice of male (-4) or female connector (-3).

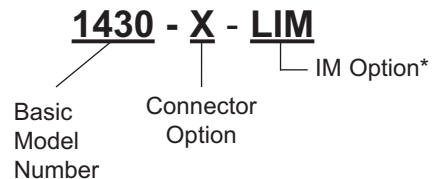
3.5mm connector mate nondestructively with SMA per MIL-C-39012, 2.92mm and other 3.5mm connector. Choice of male (-2) or female connector (-1).

Model #	DIM A	Connector Type
1430-1	13.2 (0.52)	3.5mm female
1430-2	14.0 (0.55)	3.5mm male
1430-3	18.3 (0.72)	N female
1430-4	23.1 (0.91)	N male

NOTE: All dimensions are given in mm (inches) and are maximum, unless otherwise specified.

MODEL NUMBER DESCRIPTION:

Example:



* Add -LIM to entire model number for Low Intermodulation option.