

TERMINATIONS SMA

**UP TO 18 GHz
50 WATTS**

api 
technologies corp.
> INMET

MODELS: TSXXXM-50W, TSXXXF-50W

SPECIFICATIONS:

Electrical:

Frequency Range _____ DC - 18 GHz

Standard Freq. Values _____ 6 & 18 GHz

VSWR:

DC - 6 GHz _____ 1.25:1 Max.

6 - 12.4 GHz _____ 1.35:1 Max.

12.4 - 18 GHz _____ 1.45:1 Max.

Impedance _____ 50 Ohms

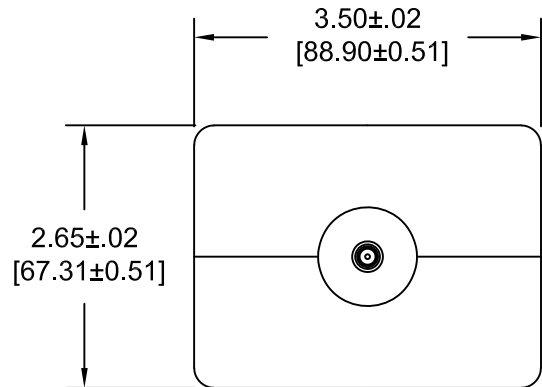
Input Power _____ 50 Watts Avg. @ +25°C

Derated Linearly to 10 Watts @ +125°C

Peak Power _____ 500 Watts Max.

(5uSec Pulse, .05% Duty Cycle)

Operating Temp Range _____ -65°C to +125°C



**END VIEW
TYPICAL**

Mechanical:

SMA Connectors _____ Passivated Stainless Steel
Mates with MIL-STD-348

Housing _____ Anodized Aluminum

Conductors _____ Gold Plated Beryllium Copper

Model Number: **TSXXXF-50W**

SMA Female Connector

Length: 3.36 ±.05 [85.3 ±1.3]

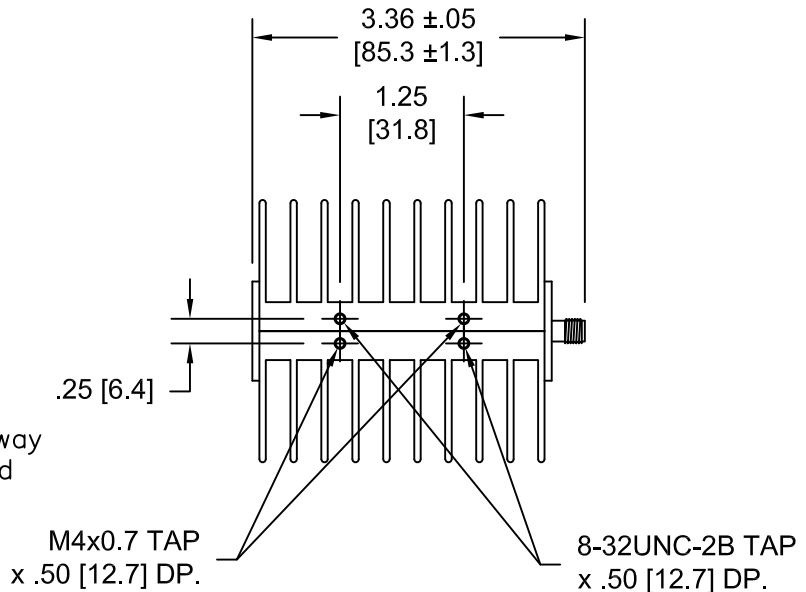
As Pictured

Model Number: **TSXXXM-50W**

SMA Male Connector

Length: 3.49 ±.05 [88.6 ±1.3]

Units must be Mounted in such a way
as to Allow for Free Air Flow Around
fins as to Assure Performance.



HOW TO ORDER:

Model Number: **TSXXXY-50W**

Frequency Range

060 = DC - 6 GHz
180 = DC - 18 GHz

Connector Configuration

M = Male
F = Female

Ordering Examples:

Model Number: **TS060F-50W**

DC - 6 GHz; SMA Female

Model Number: **TS180M-50W**

DC - 18 GHz; SMA Male

Note: Dimensions in Brackets are Expressed in Millimeters and are for Reference Only.

Design specifications are subject to change without notice.

Contact factory for technical specifications before purchasing or use.

TS180-50W; REV H

300 Dino Drive • Ann Arbor, MI 48103-9457 U.S.A. • 888-244-6638 or 734-426-5553 • FAX 734-426-5557 • inmet.apitech.com