

# TERMINATIONS SMA

**UP TO 18 GHz  
25 WATTS**

**api**   
technologies corp.  
> INMET

MODELS: TSXXXM-25W, TSXXXF-25W

## SPECIFICATIONS:

### Electrical:

Frequency Range \_\_\_\_\_ DC - 18 GHz

Standard Freq. Values \_\_\_\_\_ 6 & 18 GHz

### VSWR:

DC - 6 GHz \_\_\_\_\_ 1.20:1 Max.

6 - 12.4 GHz \_\_\_\_\_ 1.30:1 Max.

12.4 - 18 GHz \_\_\_\_\_ 1.40:1 Max.

Impedance \_\_\_\_\_ 50 Ohms

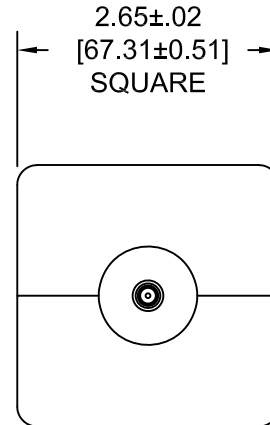
Input Power \_\_\_\_\_ 25 Watts Avg. @ +25°C

Derated Linearly to 5 Watt @ +125°C

Peak Power \_\_\_\_\_ 500 Watts Max.

(5uSec Pulse, .05% Duty Cycle)

Operating Temp Range \_\_\_\_\_ -65°C to +125°C



**END VIEW  
TYPICAL**

### Mechanical:

SMA Connectors \_\_\_\_\_ Passivated Stainless Steel

Mates with MIL-STD-348

Housing \_\_\_\_\_ Anodized Aluminum

Conductors \_\_\_\_\_ Gold Plated Beryllium Copper

Model Number: **TSXXXF-25W**

SMA Female Connector

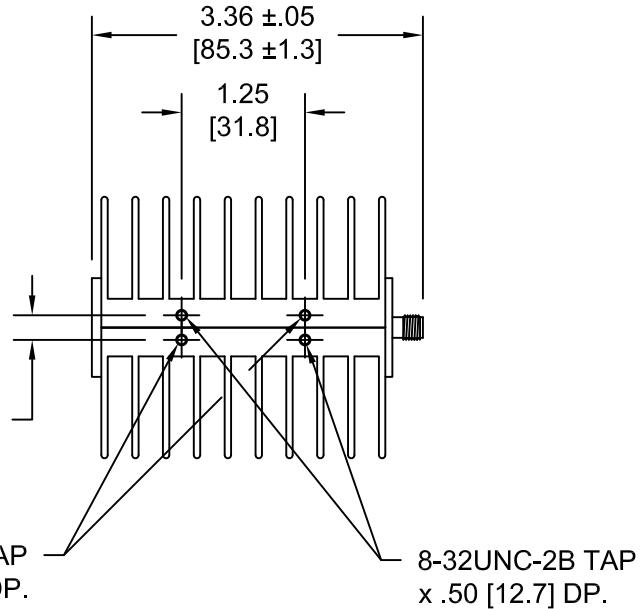
Length: 3.36 ±.05 [85.3 ±1.3]

As Pictured

Model Number: **TSXXXM-25W**

SMA Male Connector

Length: 3.49 ±.05 [88.6 ±1.3]



Units must be Mounted in such a way  
as to Allow for Free Air Flow Around  
fins as to Assure Performance.

## HOW TO ORDER:

Model Number: **TSXXXY-25W**

Frequency Range \_\_\_\_\_ Connector Configuration

060 = DC - 6 GHz

M = Male

180 = DC - 18 GHz

F = Female

## Ordering Examples:

Model Number: **TS060F-25W**

DC - 6 GHz; SMA Female

Model Number: **TS180M-25W**

DC - 18 GHz; SMA Male

Note: Dimensions in Brackets are Expressed in Millimeters and are for Reference Only.

Design specifications are subject to change without notice.

Contact factory for technical specifications before purchasing or use.

TS180-25W; REV H

300 Dino Drive • Ann Arbor, MI 48103-9457 U.S.A. • 888-244-6638 or 734-426-5553 • FAX 734-426-5557 • inmet.apitech.com