

TERMINATIONS TYPE N

**UP TO 18 GHz
25 WATTS**



MODELS: TNXXXM-25W, TNXXXF-25W

SPECIFICATIONS:

Electrical:

Frequency Range _____ DC - 18 GHz
Standard Freq. Values _____ 6 & 18 GHz

VSWR:

DC - 6 GHz _____ 1.20:1 Max.

6 - 12.4 GHz _____ 1.30:1 Max.

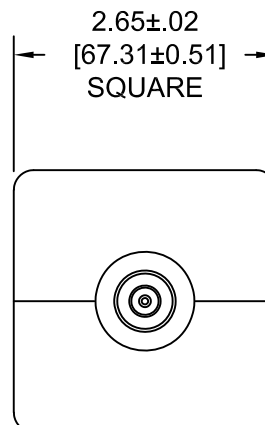
12.4 - 18 GHz _____ 1.40:1 Max.

Impedance _____ 50 Ohms

Input Power _____ 25 Watts Avg. @ +25°C
Derated Linearly to 5 Watts @ +125°C

Peak Power _____ 500 Watts Max.
(5uSec Pulse, .05% Duty Cycle)

Operating Temp Range _____ -65°C to +125°C



**END VIEW
TYPICAL**

Mechanical:

Type N Connectors _____ Passivated Stainless Steel
Mates with MIL-STD-348

Housing _____ Anodized Aluminum

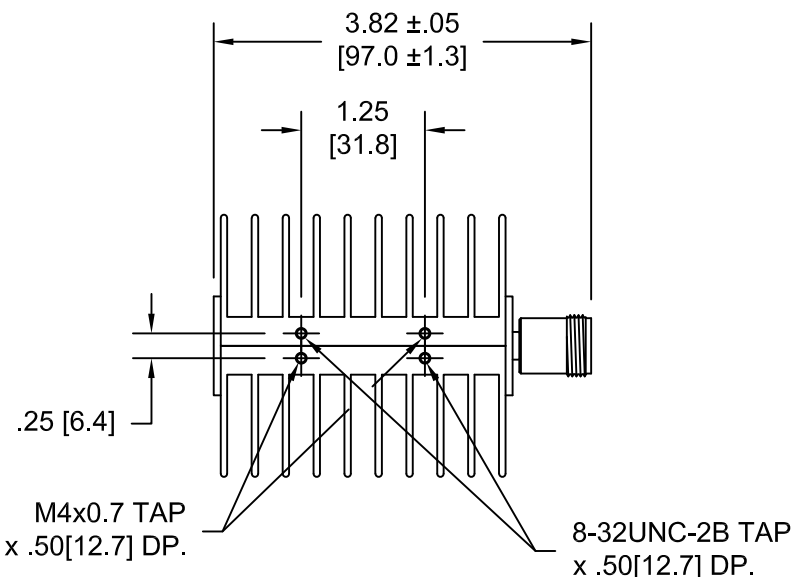
Conductors _____ Gold Plated Beryllium Copper

Model Number: **TNXXXF-25W**

Type N Female Connector
Length: 3.82 ±.05 [97.0 ±1.3]
As Pictured

Model Number: **TNXXXM-25W**

Type N Male Connector
Length: 3.74 ±0.5 [95.0 1.3]



Units must be Mounted in such a way as to
Allow for Free Air Flow Around fins to Insure
Performance

HOW TO ORDER:

Model Number: **TNXXXY-25W**

Frequency Range Connector Configuration
060 = DC - 6 GHz M = Male
180 = DC - 18 GHz F = Female

Ordering Examples:

Model Number: **TN060F-25W**
DC - 6 GHz; Type N Female

Model Number: **TN180M-25W**
DC - 18 GHz; Type N Male

Note: Dimensions in Brackets are Expressed in Millimeters and are for Reference Only.

Design specifications are subject to change without notice.
Contact factory for technical specifications before purchasing or use.