

TERMINATIONS TYPE N

DC - 18 GHz PRECISION

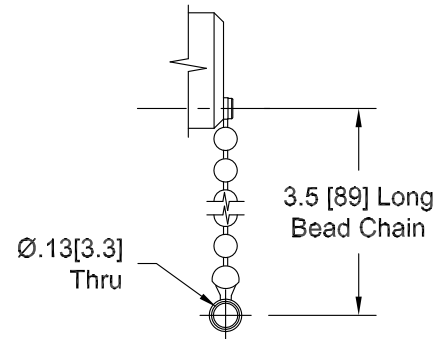


MODELS: 3101, 3101C, 3102, 3102C

SPECIFICATIONS:

Electrical:

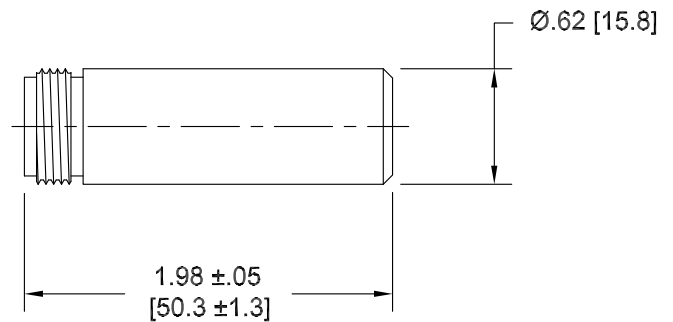
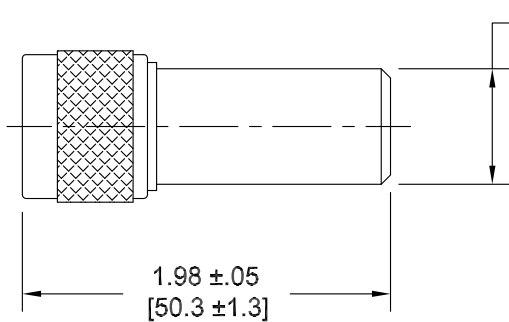
Frequency Range _____ DC - 18 GHz
 VSWR _____
 DC - 4 GHz _____ 1.03:1 Max.
 4 - 8 GHz _____ 1.04:1 Max.
 8 - 12.4 GHz _____ 1.05:1 Max.
 12.4 - 18 GHz _____ 1.06:1 Max.
 Impedance _____ 50 Ohms
 Input Power _____ 2 Watts Avg. @ +25°C
 Derated Linearly to 1 Watt @ +125°C
 Peak Power _____ 1.0 kW Max.
 (5uSec Pulse, .05% Duty Cycle)
 Operating Temp Range _____ -65°C to +125°C
 Temperature Coefficient _____ ±250 ppm/°C



CHAIN DETAIL

Mechanical:

Type N Connectors _____ Passivated Stainless Steel
 Mates with MIL-STD-348
 Conductors _____ Gold Plated Beryllium Copper
 Bead Chain _____ Passivated Stainless Steel



HOW TO ORDER:

Model Number: **310XY**
 Connector Config. Style
 1 = Male = No Chain
 2 = Female C = Chain Included

Ordering Examples:

Model Number: **3101C**
 DC - 18 GHz; Type N Male; Chain Included
 Model Number: **3102**
 DC - 18 GHz; Type N Female; No Chain
 Model Number: **3101**
 DC - 18 GHz; Type N Male; No Chain

Note: Dimensions in Brackets are Expressed in Millimeters and are for Reference Only.
 Design specifications are subject to change without notice.
 Contact factory for technical specifications before purchasing or use.