

TERMINATIONS TYPE N

**DC - 18 GHz
5 WATTS**



MODELS: 3018-5W, 3018C-5W

SPECIFICATIONS:

Electrical:

Frequency Range _____ DC - 18 GHz

VSWR:

DC - 8 GHz _____ 1.15:1 Max.

8 - 12.4 GHz _____ 1.20:1 Max.

12.4 - 18 GHz _____ 1.30:1 Max.

Impedance _____ 50 Ohms

Input Power _____ 5 Watts Avg. @ +25°C.
Derated Linearly to 1 Watt @ +125°C

Peak Power _____ 2.5 kW Max.
(5uSec Pulse, .05% Duty Cycle)

Temperature Coefficient _____ ±250 ppm/°C

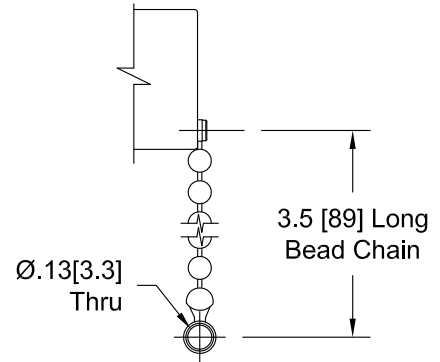
Operating Temp Range _____ -65°C to +125°C

Mechanical:

Type N Connectors _____ Nickel Plated Brass
Mates with MIL-STD-348

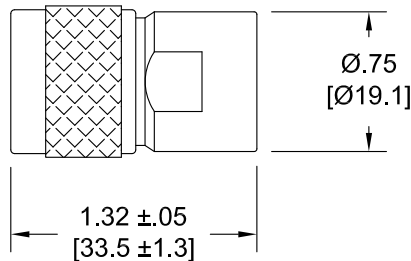
Conductors _____ Silver Plated Beryllium Copper

Bead Chain _____ Passivated Stainless Steel



CHAIN DETAIL

Model Numbers: **3018-5W**
Type N Male Connector



HOW TO ORDER:

Model Number: **3018Y-5W**

Base Model Number | Style
3018 = Male | = No Chain
C = Chain Included

Ordering Examples:

Model Number: **3018C-5W**
DC - 18 GHz; Type N Male; Chain Included

Model Number: **3018-5W**
DC - 18 GHz; Type N Male; No Chain

Note: Dimensions in Brackets are Expressed in Millimeters and are for Reference Only.
Design specifications are subject to change without notice.
Contact factory for technical specifications before purchasing or use.