

TERMINATIONS SMA

DC - 18 GHz
1 WATT



MODELS: 3016B, 3016BC

SPECIFICATIONS:

Electrical:

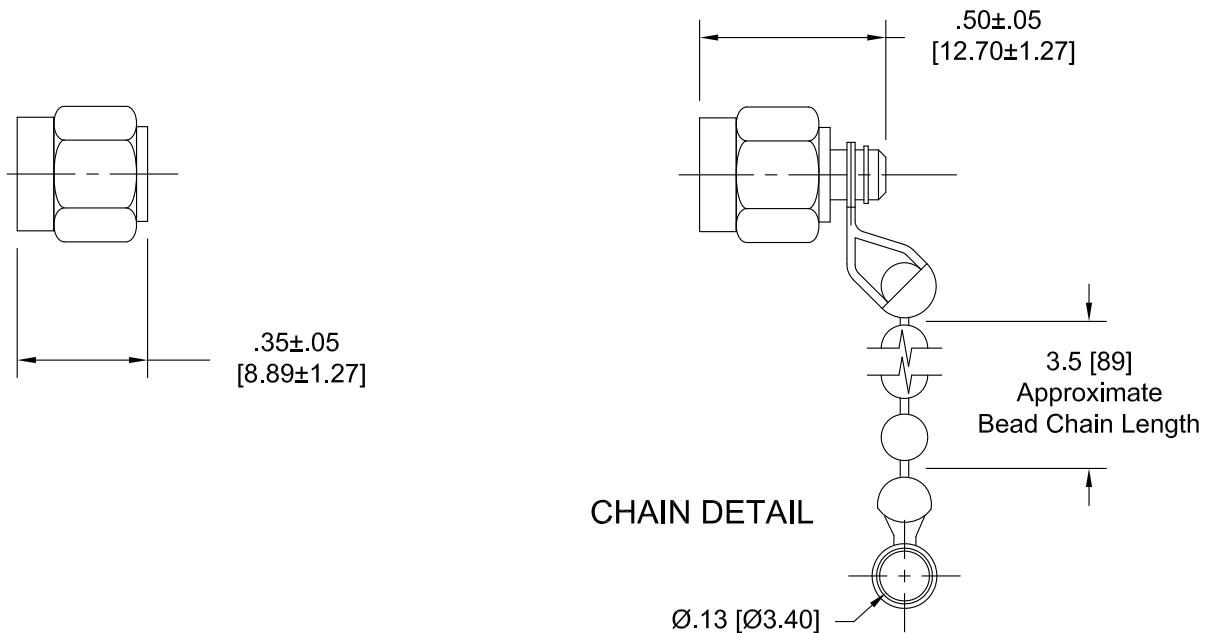
Frequency Range _____ DC - 18 GHz
VSWR
DC - 8 GHz _____ 1.10:1 Max.
8 - 12.4 GHz _____ 1.15:1 Max.
12.4 - 18 GHz _____ 1.20:1 Max.
Impedance _____ 50 Ohms
Input Power _____ 1 Watt Avg. @ +25°C
Derated Linearly to 0 Watts @ +125°C
Operating Temp Range _____ -55°C to +125°C

Mechanical:

SMA Connectors
Mates with MIL-STD-348
Body _____ Passivated Stainless Steel
Coupling Nut _____ Passivated Stainless Steel
Conductors _____ Gold Plated Beryllium Copper or Brass
Bead Chain _____ Passivated Stainless Steel

Model Number: **3016B**
SMA Male Connector

Model Number: **3016BC**
SMA Male Connector



HOW TO ORDER:

Model Number: **3016BX**

└ Style
= No Chain
C = Chain Included

Ordering Examples:

Model Number: **3016BC**
DC - 18 GHz; SMA Male; Chain Included

Model Number: **3016B**
DC - 18 GHz; SMA Male: No Chain

Note: Dimensions in Brackets are Expressed in Millimeters and are for Reference Only.
Design specifications are subject to change without notice.
Contact factory for technical specifications before purchasing or use.