

TERMINATIONS, FEEDTHRU SMA

**DC - 1 GHz
2 WATTS**



MODELS: 3008, 3008H, 3009, 3009H, 3010, 3010H

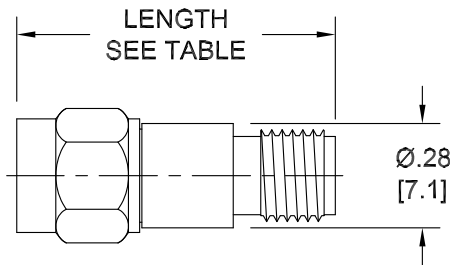
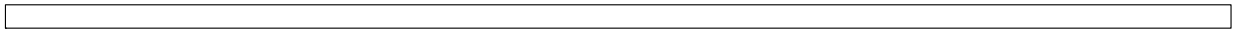
SPECIFICATIONS:

Electrical:

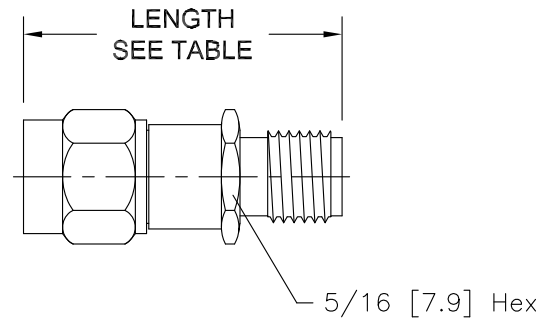
Frequency Range _____ DC – 1 GHz
 VSWR _____ 1.25:1 Max.
 Input Power _____ 2 Watts Avg. @ 25°C
DERATED LINEARLY TO 0.5 WATTS @ +125°C
 Impedance _____ 50 Ohms
 Operating Temp Range _____ -65°C to +125°C

Mechanical:

SMA Connectors _____ Passivated Stainless Steel
Mates with MIL-STD-348
 Conductors _____ Gold Plated Beryllium Copper



NO HEX STYLE
Model Shown **3008**



HEX STYLE
Model Shown **3008H**

Base Model Number	Body Style	Connector Configuration	Length	
			Inches	Millimeters
3008	No-Hex	Male/Female	.99 ±.03	[25.1 ±0.8]
3008H	Hex			
3009	No-Hex	Male/Male	1.11 ±.03	[28.2 ±0.8]
3009H	Hex			
3010	No-Hex	Female/Female	1.00 ±.03	[25.4 ±0.8]
3010H	Hex			

Note: Dimensions in Brackets are Expressed in Millimeters and are for Reference Only.
 Design specifications are subject to change without notice.
 Contact factory for technical specifications before purchasing or use.