

TERMINATION PILL

DC - 18 GHz
UP TO 3 WATTS



MODELS: PST-1, PST-2

SPECIFICATIONS:

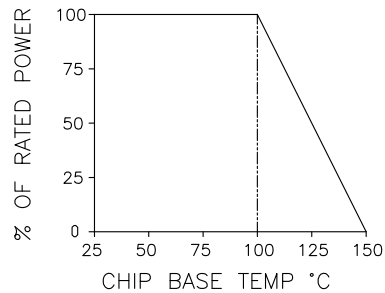
Electrical:

Frequency Range _____ DC - 18 GHz
 Impedance _____ 50 Ohms
 VSWR
 DC - 8 GHz _____ 1.20:1 Max.
 8 - 12.4 GHz _____ 1.35:1 Max.
 12.4 - 18 GHz _____ 1.50:1 Max.
 Power (@ 25°C) _____ See Table
 Frequency Range _____ DC - 18 GHz

Mechanical:

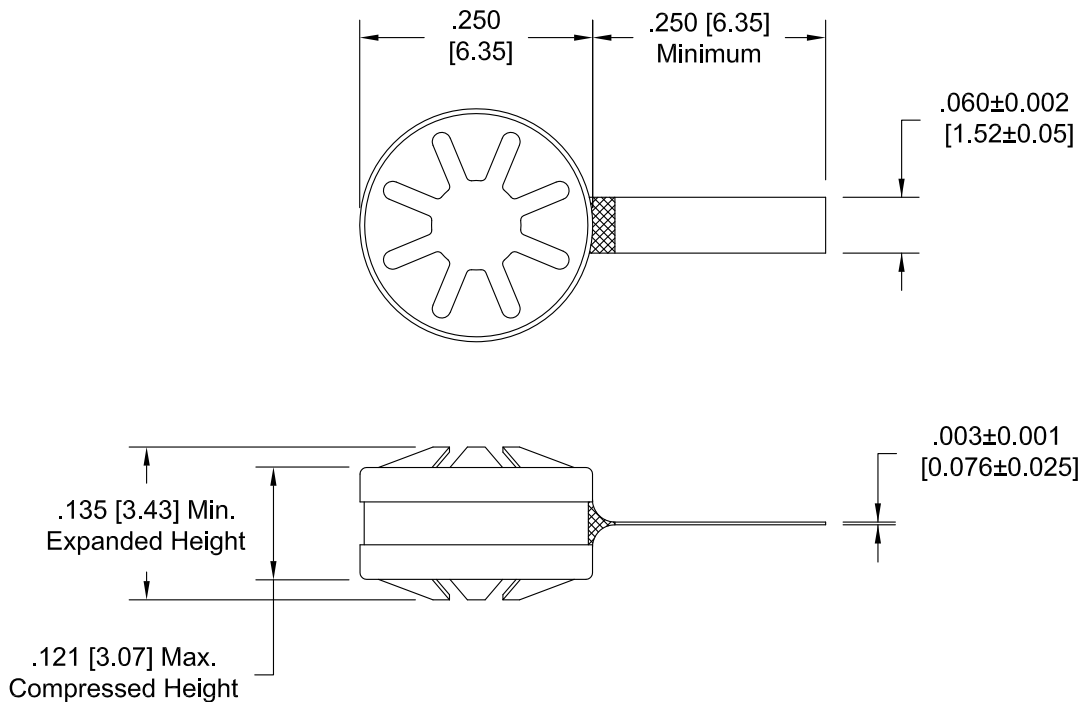
Substrate _____ Beryllium Oxide
 Body, Contact & Tab _____ Gold Plated Copper Alloy

AVERAGE POWER DERATING



Model Number: PST-X

MODEL NUMBER	POWER
PST-1	1 Watt
PST-2	3 Watts



Tolerance .XXX = ±.010

Note: Dimensions in Brackets are Expressed in Millimeters and are for Reference Only.
 Design specifications are subject to change without notice.