

TERMINATION FLANGED

DC - 400 MHz 800 WATTS



MODELS: PPT1900-800 SERIES

SPECIFICATIONS:

Electrical:

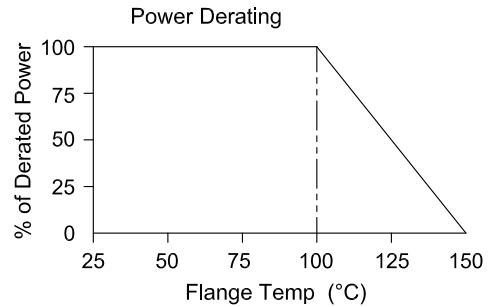
Frequency Range _____ DC - 400 MHz
 Impedance _____ 50 & 100 ±5% Ohms (Standard)
 Power Handling* _____ 800 Watts Average
 Derated Linearly to 0 Watts @ +150°C

VSWR

DC - 200 MHz _____ 1.25:1 Max.
 200 - 400 MHz _____ 1.50:1 Max.
 Operating Temp. Range _____ -55°C to +150°C

Mechanical:

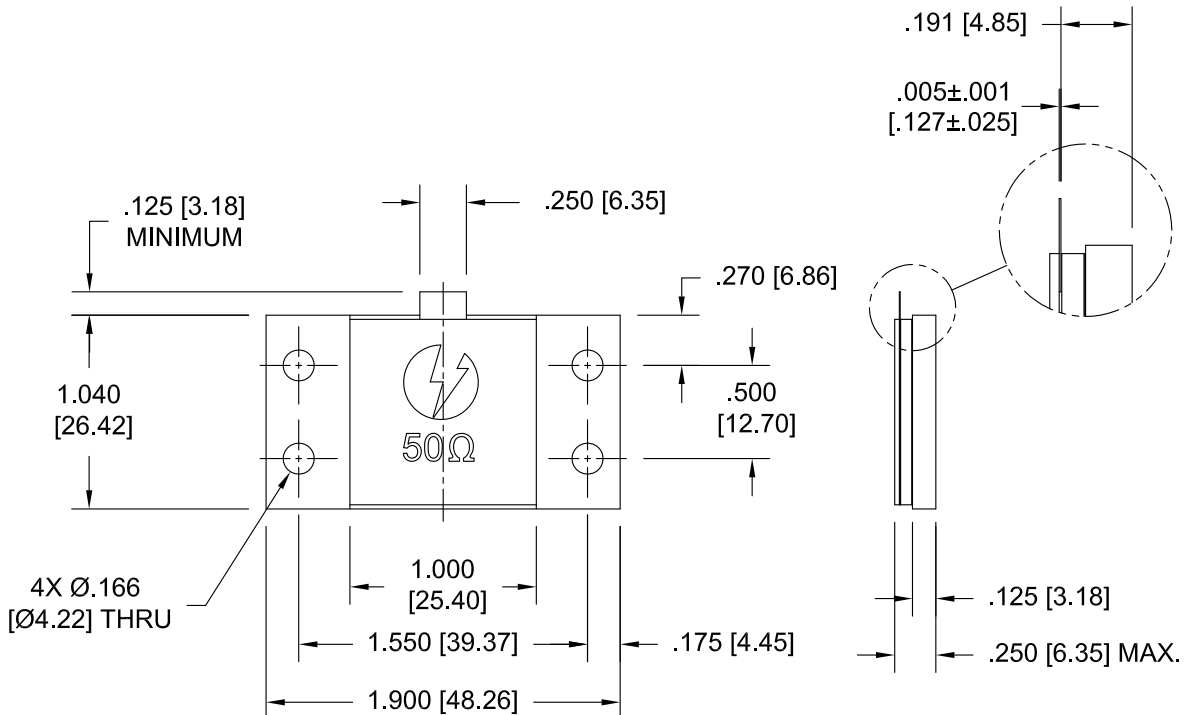
Substrate _____ Beryllium Oxide
 Resistor Material _____ Proprietary Thin Film
 Cover _____ Alumina Ceramic
 Flange _____ Nickel Plated Copper
 Tab _____ Gold Plated Beryllium Copper



*Mounting Surface Shall not Exceed 100°C Max.

Model Number: PPT1900-800-50R0J Shown

Tolerance: .XXX = ±.010



HOW TO ORDER

Model Number: PPT1900-800-XXXXY

Ohm Value	Tolerance
50R0 = 50 Ohms	G = ±2%
1000 = 100 Ohms	J = ±5%

(Other Values Available)

Note: Dimensions in Brackets are Expressed in Millimeters and are for Reference Only.

Design specifications are subject to change without notice.