

RESISTOR CHIP

DC - 3.0 GHz



MODELS: PPC250-250BX, PPC250-250BW, PPC250-250BS SERIES

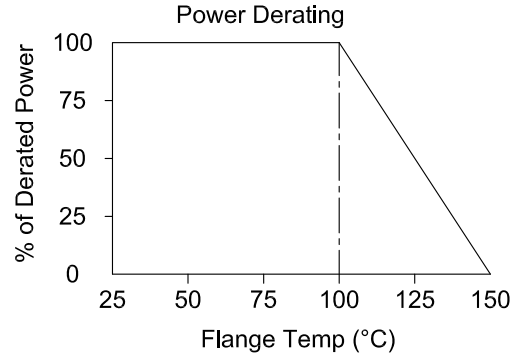
SPECIFICATIONS:

Electrical:

Frequency Range _____ DC - 3 GHz
 Resistance _____ 50 \pm 5% Ohms Standard
 Power (C/W)*
 Type 'X' Terminals
 < 125 Ohms _____ 80 Watts Average**
 > 125 Ohms _____ 40 Watts Average**
 Type 'W' & 'S' Terminals _____ 10 Watts Average**
 Operating Temp. Range _____ -55°C to +150°C

Mechanical:

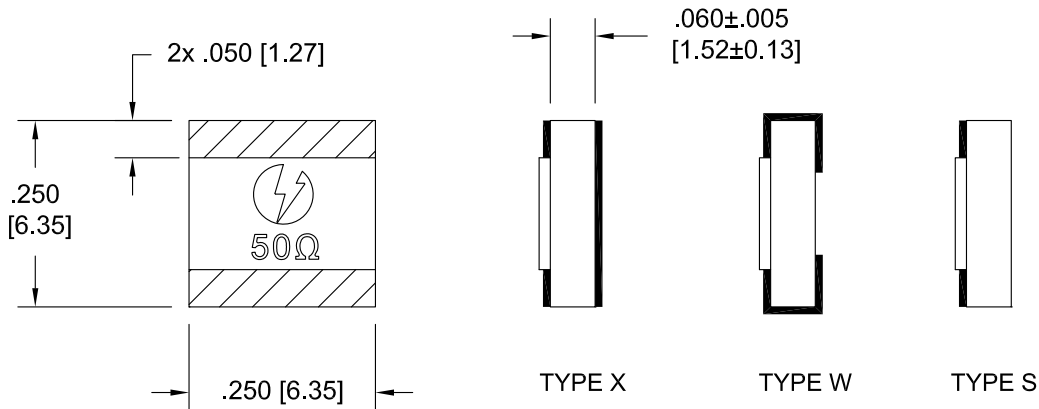
Substrate _____ Beryllium Oxide
 Resistor Material _____ Proprietary Thin Film
 Terminal Finish _____ Silver



*Mounting Surface Shall not Exceed 100°C Max.
 **Derated Linearly to 0 Watts @ +150°C

Model Number: PPC250-250BX-50R0J Shown

Tolerance: .XXX = \pm .010



Dimensions are for substrate only and do not include terminal thickness or optional tinning thickness.

HOW TO ORDER

Model Number: PPCT250-250BW-XXXXY

Terminal Options
 = Silver
 T = Tin Lead Solder
 H = Lead Free Solder

Terminal Type
 X = No wrap
 W = Both ends wrap around
 S = Backside blank

Tolerance
 G = \pm 2%
 J = \pm 5%

Ohm Value (Other values available)
 50R0 = 50 Ohms
 1000 = 100 Ohms

Note: Dimensions in Brackets are Expressed in Millimeters and are for Reference Only.

Design specifications are subject to change without notice.