

TERMINATION FLANGED

DC - 2.7 GHz 250 WATTS



MODELS: ANT975-250-XXXXY

SPECIFICATIONS:

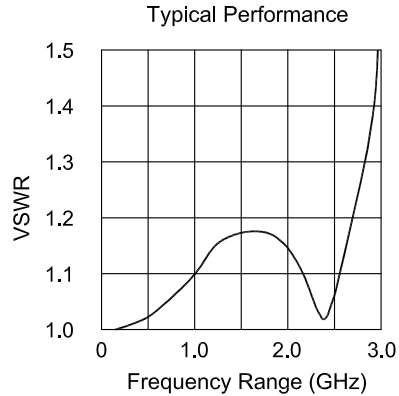
Electrical:

Frequency Range _____ DC - 2.7 GHz
 Ohm Value** _____ 50 ±5% Ohms Standard
 Power Handling* _____ 250 Watts Average
 Derated Linearly to 0 Watts @ +150°C
 VSWR _____ 1.35:1 Max.
 Operating Temp. Range _____ -55°C to +150°C

Mechanical:

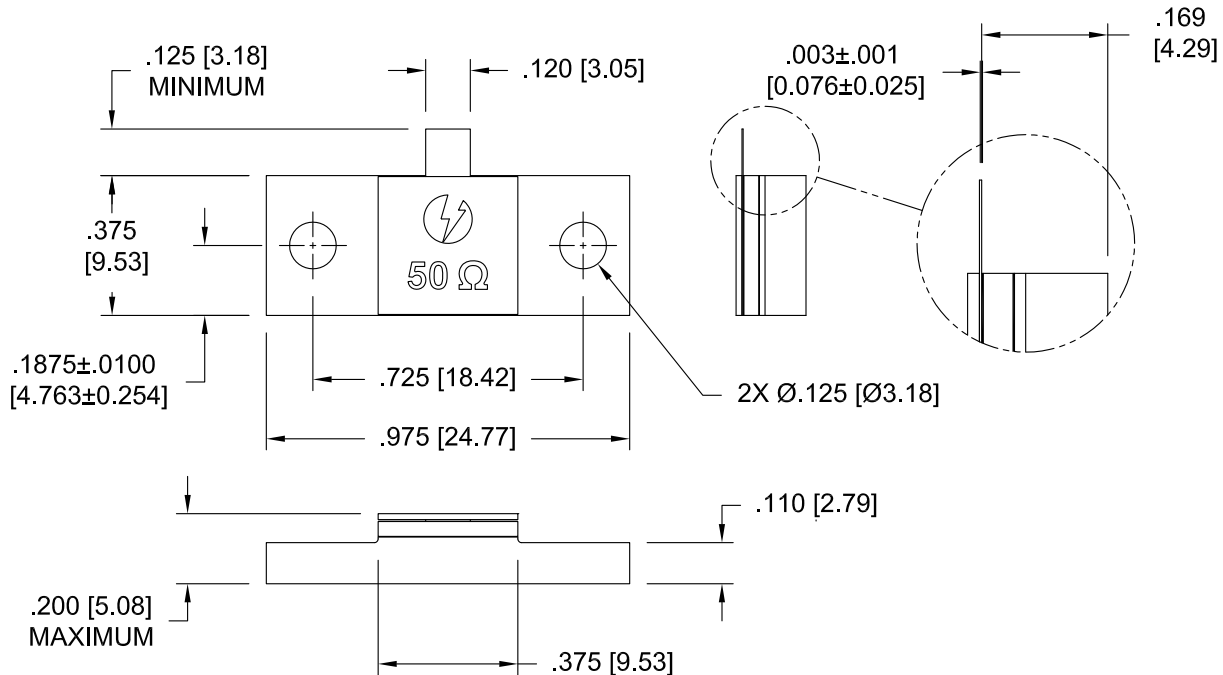
Substrate _____ Aluminum Nitride
 Resistor Material _____ Proprietary Thin Film
 Cover _____ Alumina Ceramic
 Flange _____ Nickel Plated Copper
 Tab _____ Gold Plated Beryllium Copper

*Mounting Surface Shall not Exceed 100°C Max.



Model Number: ANT975-250-50R0J Shown

Tolerance: .XXX = ±.010



HOW TO ORDER

Model Number: ANT975-250-XXXXY

**Ohm Value	Tolerance
50R0 = 50 Ohms	G = ±2%
1000 = 100 Ohms	J = ±5%
(Other Values Available)	

Note: Dimensions in Brackets are Expressed in Millimeters and are for Reference Only.

Design specifications are subject to change without notice.