

TERMINATION FLANGED

DC - 2 GHz 150 WATTS



MODELS: ANT870-150

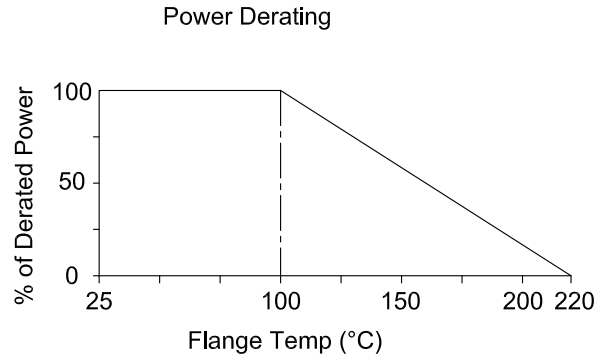
SPECIFICATIONS:

Electrical:

Frequency Range _____ DC - 2 GHz
 Ohm Value _____ 50 ±5% Ohms (Standard)
 Power Handling* _____ 150 Watts Average
 _____ Derated Linearly to 0 Watts @ +220°C
 VSWR _____ 1.25:1 Max.
 Operating Temp. Range _____ -55°C to +220°C

Mechanical:

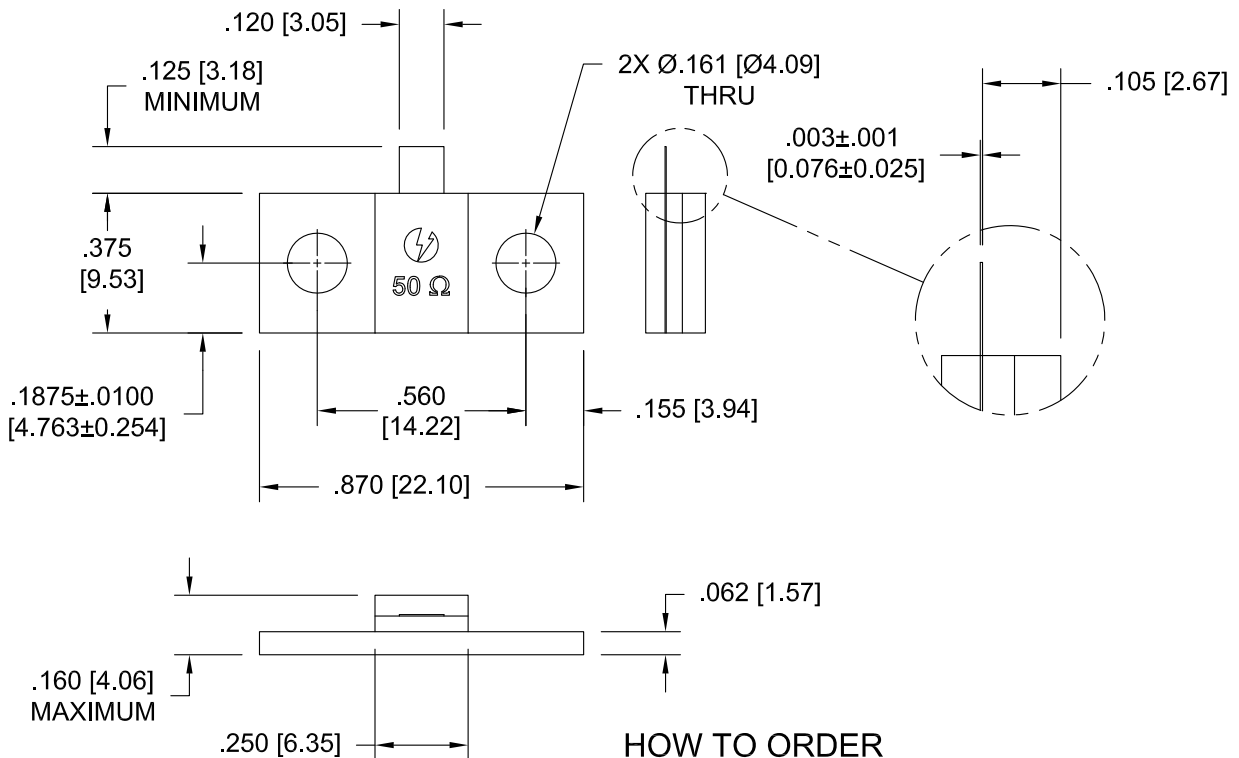
Substrate _____ Aluminum Nitride
 Resistor Material _____ Proprietary Thin Film
 Cover _____ Alumina Ceramic
 Flange _____ Nickel Plated Copper
 Tab _____ Gold Plated Beryllium Copper



*Mounting surface shall not exceed 100°C Max. for 100% power rating to apply. See derating chart for mounting surfaces above 100°C.

Model Number: **ANT870-150-50R0J** Shown

Tolerance: .XXX = ±.010



HOW TO ORDER

Model Number: **ANT870-150-XXXXY**

Ohm Value _____ Tolerance _____
 50R0 = 50 Ohms G = ±2%
 1000 = 100 Ohms J = ±5%
 (Other Values Available)

Note: Dimensions in Brackets are Expressed in Millimeters and are for Reference Only.

Design specifications are subject to change without notice.