

# RESISTOR FLANGED

**DC - 2.0 GHz  
150 WATTS**



MODELS: ANR870-150-XXXXX

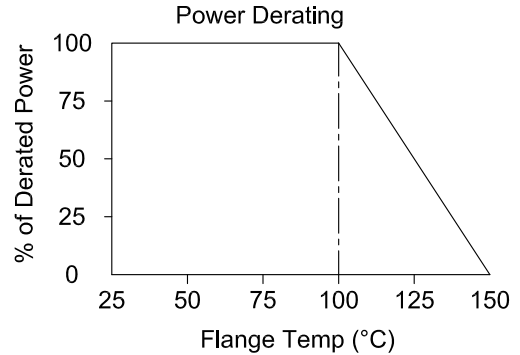
## SPECIFICATIONS:

### Electrical:

Frequency Range \_\_\_\_\_ DC - 2.0 GHz  
 Resistance \_\_\_\_\_ 50 & 100  $\pm 5\%$  Ohms (Standard)  
 Power Handling\* \_\_\_\_\_ 150 Watts Average  
 \_\_\_\_\_ Derated Linearly to 0 Watts @ +150°C  
 Operating Temp. Range \_\_\_\_\_ -55°C to +150°C

### Mechanical:

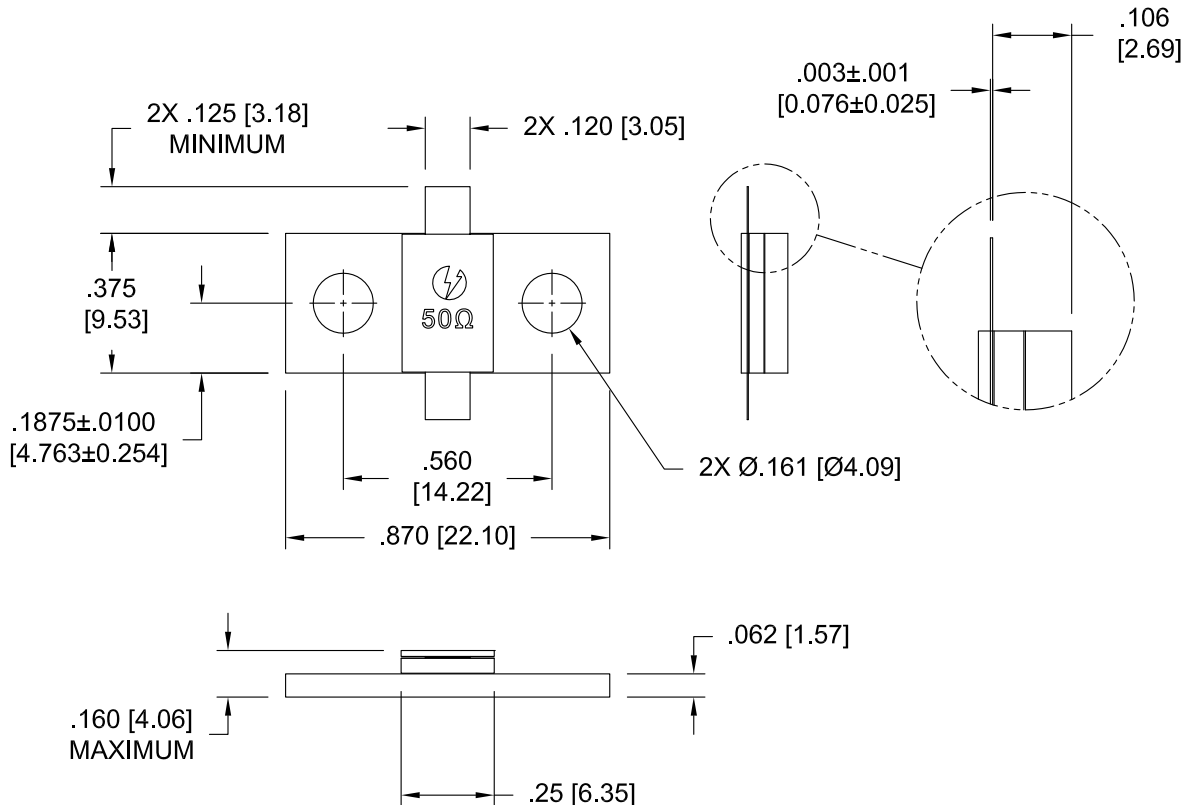
Substrate \_\_\_\_\_ Aluminum Nitride  
 Resistor Material \_\_\_\_\_ Proprietary Thin Film  
 Cover \_\_\_\_\_ Alumina Ceramic  
 Flange \_\_\_\_\_ Nickel Plated Copper  
 Tab \_\_\_\_\_ Gold Plated Beryllium Copper



\*Mounting Surface Shall not Exceed 100°C Max.

Model Number: **ANR870-150-50R0J** Shown

Tolerance: .XXX =  $\pm 0.10$



## HOW TO ORDER

Model Number: **ANR870-150-XXXXY**

Ohm Value	Tolerance
50R0 = 50 Ohms	G = $\pm 2\%$
1000 = 100 Ohms	J = $\pm 5\%$
(Other Values Available)	

Note: Dimensions in Brackets are Expressed in Millimeters and are for Reference Only.

Design specifications are subject to change without notice.