

# RESISTOR FLANGED

## DC - 4 GHz 100 WATTS



MODELS: PPR800-40-3-XXXXY

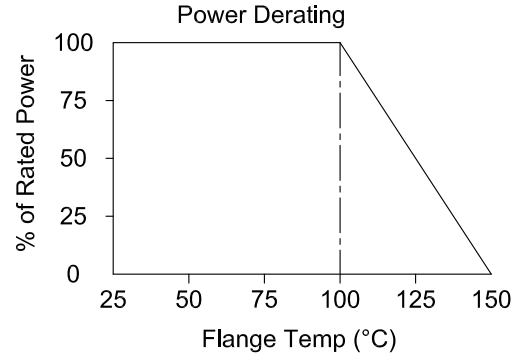
### SPECIFICATIONS:

**Electrical:**

Frequency Range \_\_\_\_\_ DC - 4 GHz  
 Resistance \_\_\_\_\_ 50 & 100 ±5% Standard  
 Power Handling\* \_\_\_\_\_ 100 Watt Avg.  
 \_\_\_\_\_ Derated Linearly to 0 Watts @ +150°C  
 Operating Temp. Range \_\_\_\_\_ -55°C to +150°C

**Mechanical:**

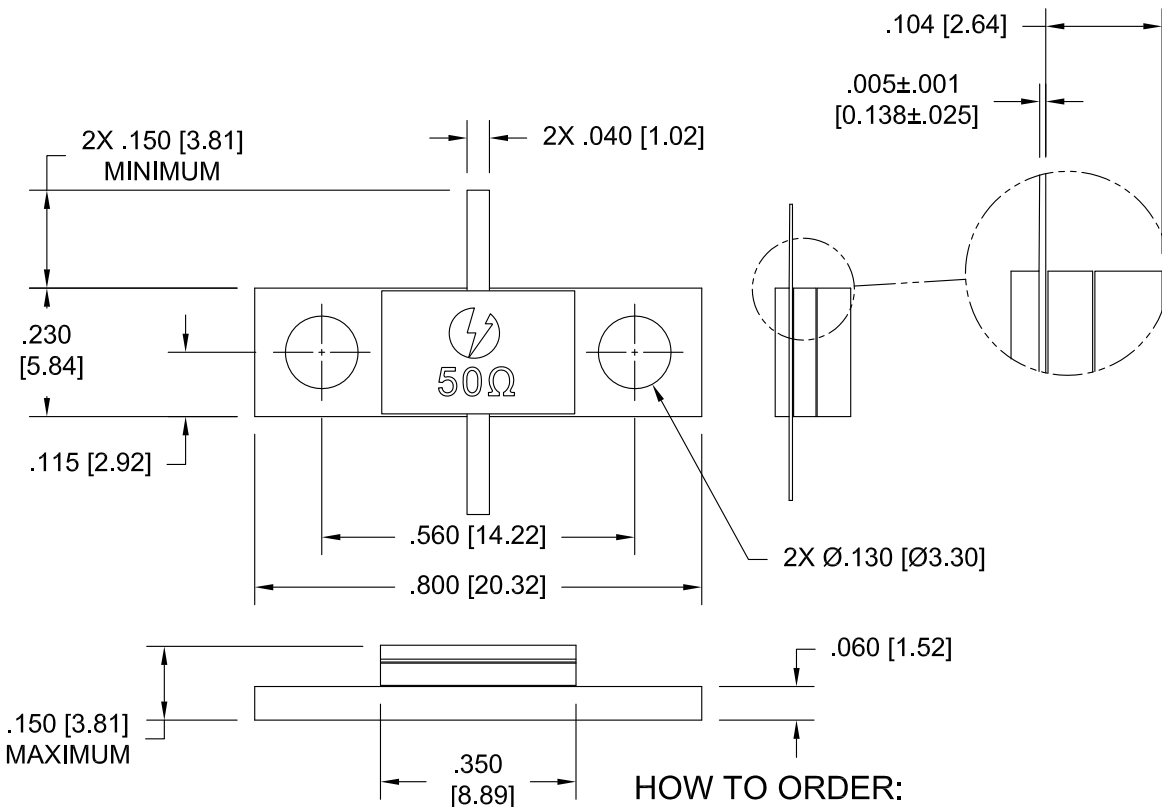
Substrate \_\_\_\_\_ Aluminum Nitride  
 Resistor Material \_\_\_\_\_ Proprietary Thin Film  
 Cover \_\_\_\_\_ Alumina Ceramic  
 Flange \_\_\_\_\_ Nickel Plated Copper  
 Tab \_\_\_\_\_ Gold Plated Beryllium Copper



\*Mounting Surface Shall not Exceed 100°C Max.

Model Number: **ANR800-100-50R0J** Shown

TOLERANCE: .XXX ± .010



### HOW TO ORDER:

Model Number: **ANR800-100-XXXXY**

Ohm Value \_\_\_\_\_  
 50R0 = 50 Ohms  
 1000 = 100 Ohms  
 (Other values available)

Tolerance  
 G = 2%  
 J = 5% (Standard)

Note: Dimensions in Brackets are Expressed in Millimeters and are for Reference Only.  
 Design specifications are subject to change without notice.  
 Contact factory for technical specifications before purchasing or use.