

# RESISTOR FLANGED

**DC - 500 MHz  
400 WATTS**



MODELS: ANR1250-400-XXXXY

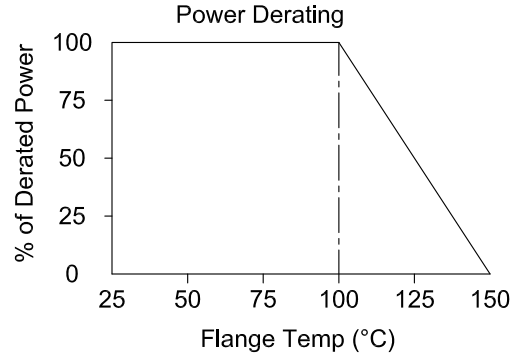
## SPECIFICATIONS:

### Electrical:

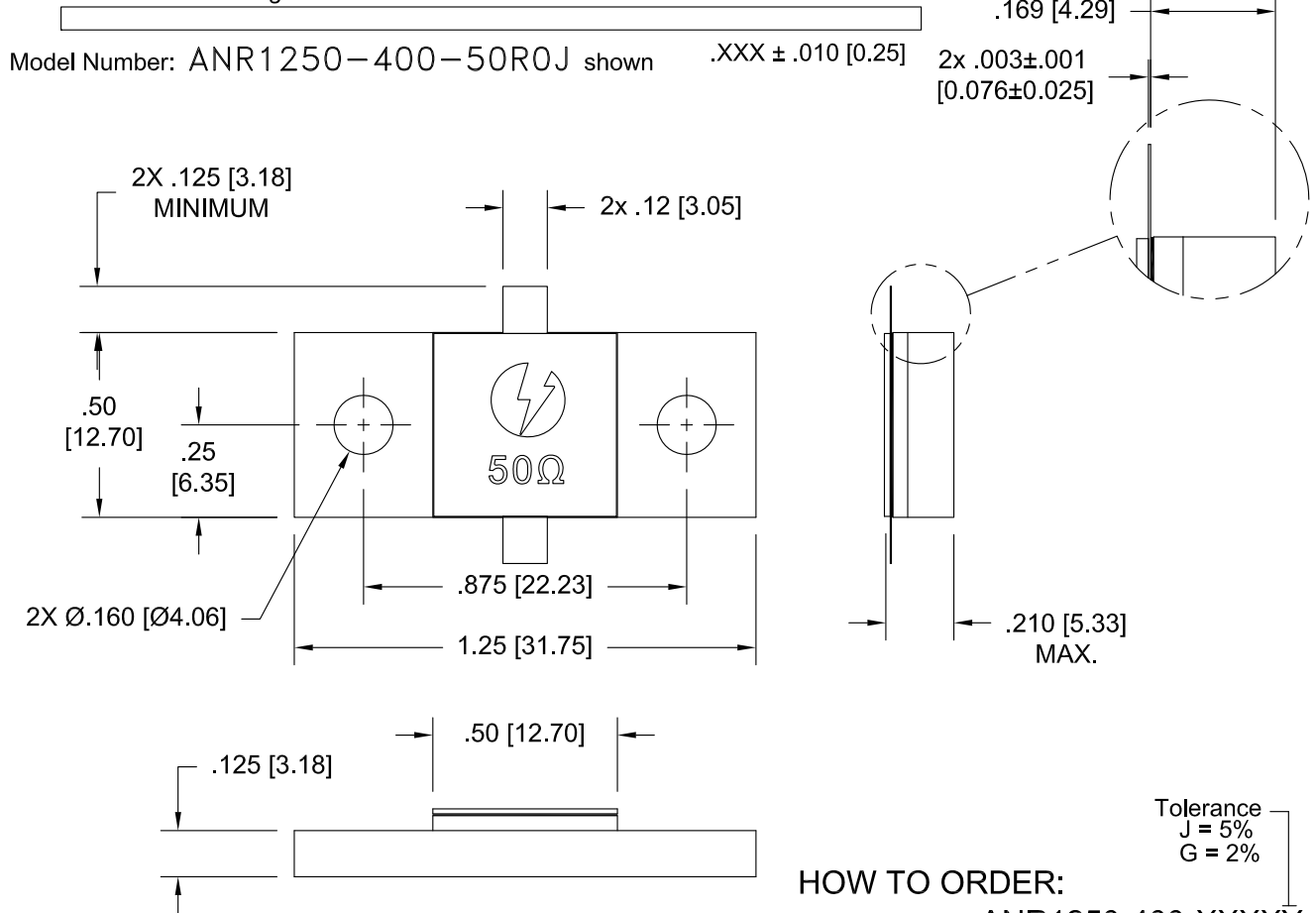
Frequency Range \_\_\_\_\_ DC - 500 MHz  
 Resistance \_\_\_\_\_ 50 & 100 ±5% Ohms (Standard)  
 Power Handling\* \_\_\_\_\_ 400 Watt Avg.  
 \_\_\_\_\_ Derated Linearly to 0 Watts @ +150°C  
 Operating Temp. Range \_\_\_\_\_ -55°C to +150°C

### Mechanical:

Substrate \_\_\_\_\_ Aluminum Nitride  
 Resistor Material \_\_\_\_\_ Proprietary Thin Film  
 Cover \_\_\_\_\_ Alumina Ceramic  
 Mounting Flange \_\_\_\_\_ Nickel Plated Copper  
 Tab \_\_\_\_\_ Gold Plated Beryllium Copper



\*Mounting Surface Shall not Exceed 100°C Max.



## HOW TO ORDER:

Model Number: ANR1250-400-XXXXY

Ohm Value  
 50R0 = 50 Ohms  
 1000 = 100 Ohms  
 (Other Values Available)

Note: Dimensions in Brackets are Expressed in Millimeters and are for Reference Only.  
 Design specifications are subject to change without notice.  
 Contact factory for technical specifications before purchasing or use.