

TERMINATION CHIP

**DC - 2.7 GHz
250 WATTS**



MODELS: ANC375-375AG1-50R0G

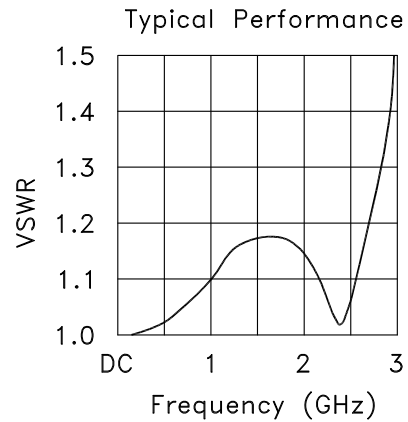
SPECIFICATIONS:

Electrical:

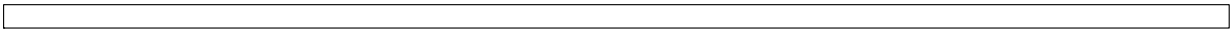
Frequency Range _____ DC – 2.7 GHz
 VSWR _____ 1.35:1 Max.
 Resistance _____ 50 Ohms $\pm 2\%$
 Power Rating* _____ 250 Watts Average
 Derated Linearly to 0 Watts at 150°C
 Operating Temperature _____ -55°C to +150°C

Mechanical:

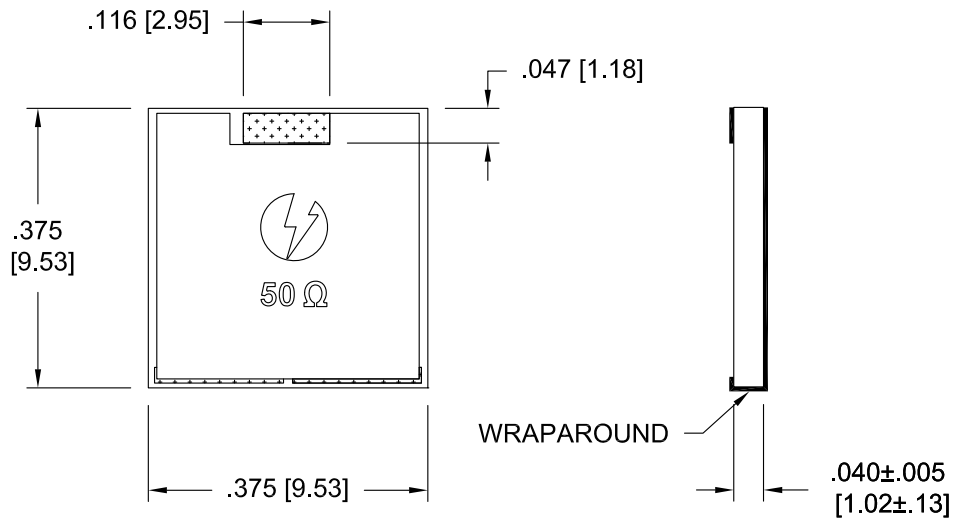
Substrate _____ Aluminum Nitride
 Resistor _____ Proprietary Thin Film
 Terminal Finish _____ Silver



*Assumes 100°C Max. Temperature of Mounting Surface.



Model Number: **ANC375-375AG1-50R0G**



TOLERANCES:
 .XXX = $\pm .010$ "

Note: Dimensions in Brackets are Expressed in Millimeters and are for Reference Only.
 Design specifications are subject to change without notice.