

TERMINATION CHIP

**DC - 4 GHz
150 WATTS**



MODELS: ANC350-225AG-XXXXY

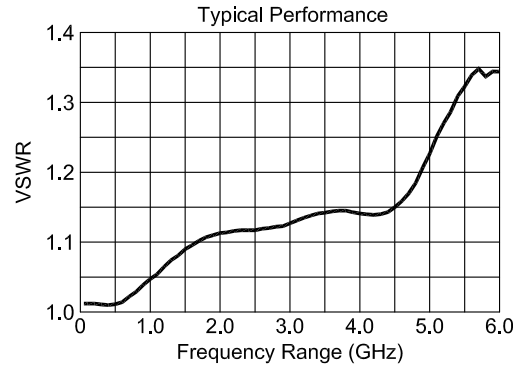
SPECIFICATIONS:

Electrical:

Frequency Range _____ DC - 4 GHz
 Ohm Value _____ 50 ±5% Ohms (Standard)
 Power Handling* _____ 150 Watts Average
 Derated Linearly to 0 Watts @ +150°C
 VSWR _____ 1.25:1 Max.
 Operating Temp. Range _____ -55°C to +150°C

Mechanical:

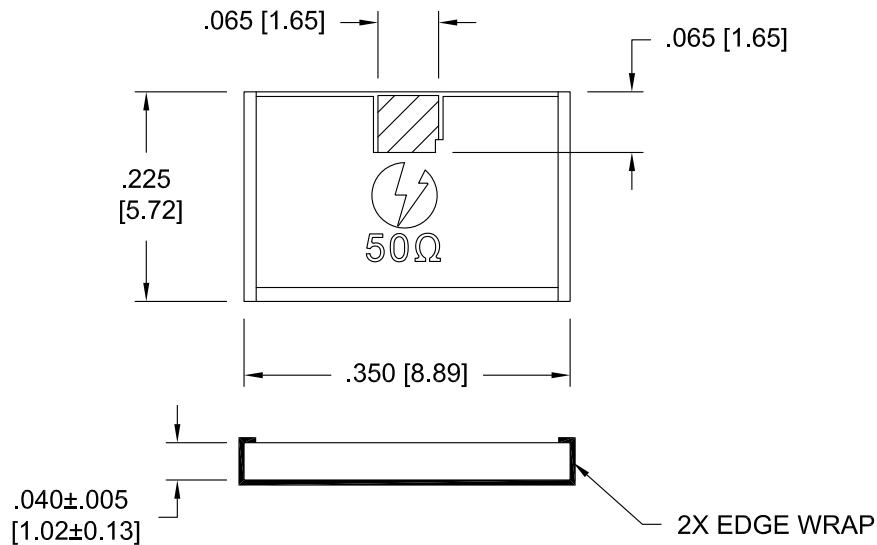
Substrate _____ Aluminum Nitride
 Resistor Material _____ Proprietary Thin Film
 Terminal Finish _____ Silver



*Mounting Surface Shall not Exceed 100°C Max.

Model Number: ANC350-225AG-50R0J Shown

Tolerance: .XXX = ±.010



HOW TO ORDER

Model Number: ANCT350-225AG-XXXXY

Terminal Options
 = Silver
 T = Tin Lead Solder
 H = Lead Free Solder

Tolerance
 G = ±2%
 J = ±5%

Ohm Value
 50R0 = 50 Ohms
 1000 = 100 Ohms
 (Other Values Available)

Note: Dimensions in Brackets are Expressed in Millimeters and are for Reference Only.

Design specifications are subject to change without notice.