

ATTENUATOR CHIP

UP TO 6 GHz
UP TO 20 WATTS



MODELS: KPA10-XX

SPECIFICATIONS: (flange Mount)

Electrical:

Frequency Range _____ DC - 4 GHz
Standard dB Values _____ 1 thru 6, 10, 12 & 20 dB

Atten. Accuracy	DC - 1 GHz	1 - 2.5 GHz	2.5 - 4 GHz
1 - 9 dB	±0.5 dB	±0.5 dB	±0.5 dB
10 - 20 dB	±1.0 dB	±2.0 dB	±3.0 dB

Impedance _____ 50 Ohms
Power Handling* _____ 10 Watts Max.
VSWR _____ 1.30:1 Max.
Operating Temp. Range _____ -55°C to +150°C

Mechanical:

Substrate _____ Beryllium Oxide
Resistor Material _____ Proprietary Thin Film
Terminal Finish _____ Silver
(See How to Order for Tinning & other options)

*Mounting Surface Shall not Exceed 100°C Max. for 100% Power Rating to apply. See Derating chart for Mounting Surfaces above 100°C.



Model Number: KPA10-3 Shown

Tolerance: .XXX = ±.010

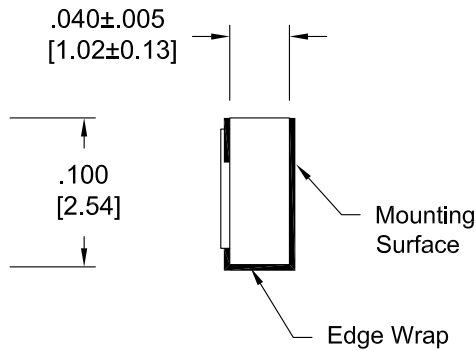
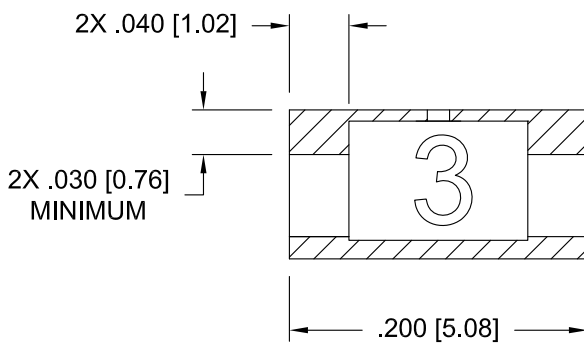
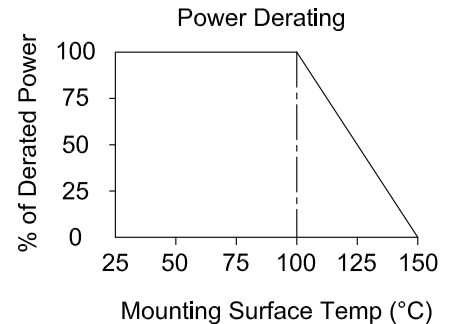
SPECIFICATIONS: (Resistor side down)

Electrical:

Frequency Range _____ DC - 6 GHz
Standard dB Values _____ 1 thru 6, 10, 12 & 20 dB

Atten. Accuracy	DC - 4 GHz	4 - 6 GHz
1 - 9 dB	±0.5 dB	±1.0 dB
10 -20 dB	±0.5 dB	±1.75 dB

Impedance _____ 50 Ohms
Power Handling* _____ 20 Watts Max.
VSWR (Max) _____ DC - 4 GHz _____ 4 - 6 GHz
1.25:1 _____ 1.50:1
Operating Temp. Range _____ -55°C to +150°C



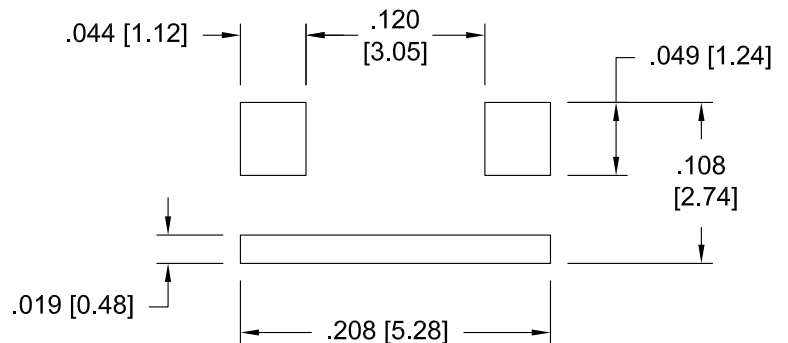
Dimensions are for substrate only and do not include terminal thickness or optional tinning thickness.

HOW TO ORDER

Model Number: KPA10-TXX

Terminal Options
= Silver over Nickel
T = Tin Lead Solder
H = Lead Free Solder

dB Value
3 = 3dB
10 = 10dB



Recommended Land Pattern
Resistor side Down

Note: Dimensions in Brackets are Expressed in Millimeters and are for Reference Only.

Design specifications are subject to change without notice.