

Models 1580 & 1580-1
Broadband Resistive Power Dividers
3.5mm Connectors

dc to 26.5 GHz
1 Watt

 **RoHS**



MAXIMUM SWR:

Frequency (GHz)	SWR
dc - 18	1.20
18 - 26.5	1.40

CONSTRUCTION: Gold plated brass body; stainless steel connectors; gold plated beryllium copper contacts.

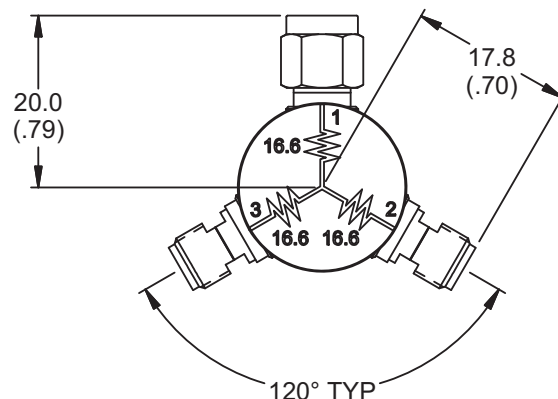
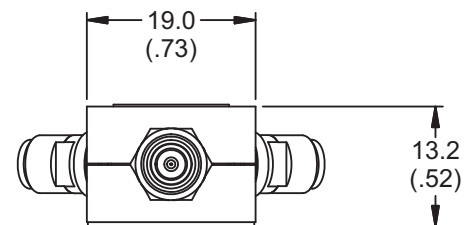
TEST DATA: Insertion loss, SWR and Tracking data covering 153 frequency points between 50 MHz and 26.5 GHz.

CONNECTORS:

Model 1580: Male 3.5mm connector port 1 and Female 3.5mm connectors ports 2 and 3--all mate nondestructively with SMA, 2.92mm and other 3.5mm connectors.

Model 1580-1: Female 3.5mm connectors all ports--mate nondestructively with SMA, 2.92mm and other 3.5mm connectors.

PHYSICAL DIMENSIONS:



NOTE: All dimensions are given in mm (inches) and are maximum, unless otherwise specified.

Features

- /// **Miniature Size & Lightweight** - High power capability and high ambient temperature operation.
- /// **Close Tracking & Low Frequency Sensitivity** - Output power symmetry is excellent across the frequency range. Division is 6 dB from matched ports.
- /// **Test Data** - Provided for 153 frequency points

Specifications

NOMINAL IMPEDANCE: 50 Ω

FREQUENCY RANGE: dc to 26.5 GHz

MAXIMUM INPUT POWER: 1 watt CW, 500 watt pulse

INSERTION LOSS (between input & one output arm): 6 dB nominal, 7.5 maximum to 18 GHz and 8.5 maximum to 26.5 GHz.

NUMBER OF PORTS: 3, interchangeable for input and output

TRACKING (Maximum)*:

Frequency (GHz)	Amplitude	Phase
dc - 26.5	0.30 dB	4°

* Ports 1 to 2 & 1 to 3

POWER COEFFICIENT: < 0.005 dB/dB/watt

TEMPERATURE COEFFICIENT: < 0.0004 dB/dB/°C

TEMPERATURE RANGE: -55°C to +125°C