

# POWER DIVIDERS, RESISTIVE SMA

UP TO **18 GHz**  
**1 WATT**



MODELS: 6014-01, 6014-02, 6014-03

## SPECIFICATIONS:

### Electrical:

Frequency Range \_\_\_\_\_ See Below  
 Standard Freq. Values \_\_\_\_\_ 6, 12.4 and 18 GHz  
 Input VSWR \_\_\_\_\_ See Below  
 Impedance \_\_\_\_\_ 50 Ohms  
 Insertion Loss \_\_\_\_\_ See Below  
 Phase Tracking \_\_\_\_\_ See Below  
 Input Power \_\_\_\_\_ 1 Watt Avg. @ 25°C  
Derated linearly to 0 Watts @ +125°C  
 Operating Temp. Range \_\_\_\_\_ -65°C to +125°C

### Mechanical:

SMA Connectors \_\_\_\_\_ Passivated Stainless Steel  
 Mates with MIL-STD-348  
 Housing \_\_\_\_\_ Passivated Stainless Steel  
 Conductors \_\_\_\_\_ Gold Plated Beryllium Copper

### Model Number: 6014-01

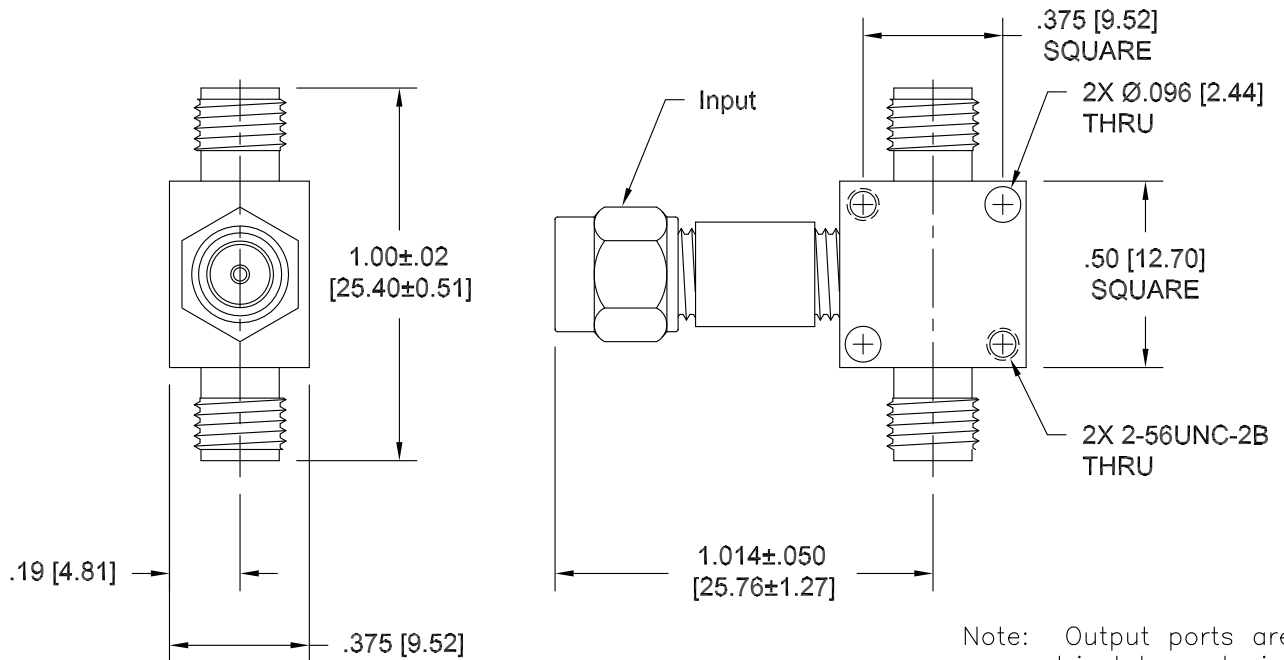
Frequency Range \_\_\_\_\_ DC - 12.4 GHz  
 Input VSWR \_\_\_\_\_ 1.20:1 Max.  
 Insertion Loss \_\_\_\_\_ 6dB Nominal  
 Phase Tracking \_\_\_\_\_ ±2°  
 (between output ports)  
 Amplitude Tracking \_\_\_\_\_ 0.4dB

### Model Number: 6014-02

Frequency Range \_\_\_\_\_ DC - 18 GHz  
 Input VSWR \_\_\_\_\_ 1.30:1 Max.  
 Insertion Loss \_\_\_\_\_ 7.5dB Nominal  
 Phase Tracking \_\_\_\_\_ ±3°  
 (between output ports)  
 Amplitude Tracking \_\_\_\_\_ 0.5dB

### Model Number: 6014-03

Frequency Range \_\_\_\_\_ DC - 6 GHz  
 Input VSWR \_\_\_\_\_ 1.20:1 Max.  
 Insertion Loss \_\_\_\_\_ 6dB Nominal  
 Phase Tracking \_\_\_\_\_ ±2°  
 (between output ports)  
 Amplitude Tracking \_\_\_\_\_ 0.4dB



Note: Output ports are symmetrical to male input.

Note: Dimensions in Brackets are Expressed in Millimeters and are for Reference Only.  
 Design specifications are subject to change without notice.  
 Contact factory for technical specifications before purchasing or use.