

POWER DIVIDERS

2.9mm

UP TO 26.5 GHz
1 WATT



MODELS: 6005F-01, 6005F-02, 6005F-03

SPECIFICATIONS:

Electrical:

Frequency Range _____ See Below
 Standard Freq. Values _____ 12.4, 18 & 26.5 GHz
 Input VSWR _____ See Below
 Impedance _____ 50 Ohms
 Insertion Loss _____ See Below
 Phase Tracking _____ See Below
 Input Power _____ 1 Watt Avg. @ 25°C
DERATED LINEARLY TO 0 WATTS @ +125°C
 Operating Temp. Range _____ -65°C to +125°C

Mechanical:

2.9mm Connectors _____ Passivated Stainless Steel
Mate both Mechanically & Electrically with
 all SMA, K* & 3.5mm Series Connectors.
 Housing _____ Passivated Stainless Steel
 Conductors _____ Gold Plated Beryllium Copper

*K is a trademark of Anritsu/Wiltron Corp.

Model Number: 6005F-01

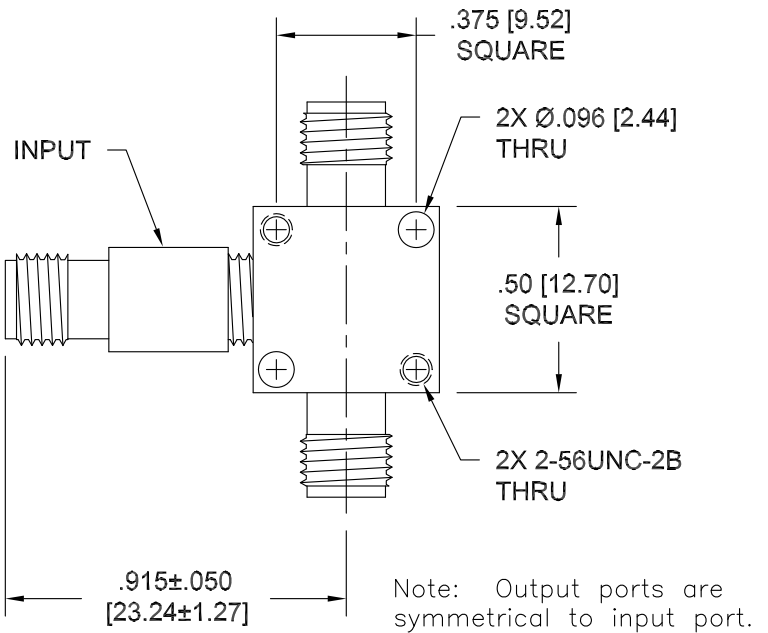
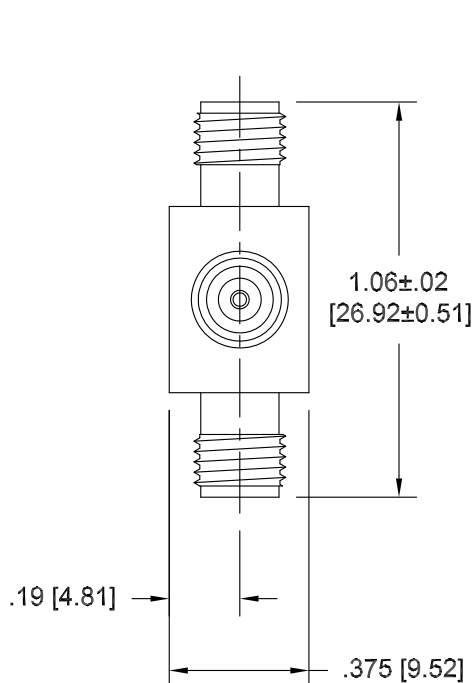
Frequency Range ___DC - 12.4 GHz
 Input VSWR _____ 1.20:1 Max.
 Insertion Loss _____ 6dB Nominal
 Phase Tracking _____ ±2°
 (between output ports)
 Amplitude Tracking _____ 0.4 dB

Model Number: 6005F-02

Frequency Range ___DC - 18 GHz
 Input VSWR _____ 1.30:1 Max.
 Insertion Loss _____ 7.5dB Nominal
 Phase Tracking _____ ±3°
 (between output ports)
 Amplitude Tracking _____ 0.5 dB

Model Number: 6005F-03

Frequency Range ___DC - 26.5 GHz
 Input VSWR _____ 1.40:1 Max.
 Insertion Loss _____ 8.5dB Nominal
 Phase Tracking _____ ±4°
 (between output ports)
 Amplitude Tracking _____ 1 dB



Note: Dimensions in Brackets are Expressed in Millimeters and are for Reference Only.
 Design specifications are subject to change without notice.
 Contact factory for technical specifications before purchasing or use.