

SHORT CIRCUITS 7/16 - DIN

DC - 7.5 GHz



MODELS: 7011, 7011C, 7012, 7012C

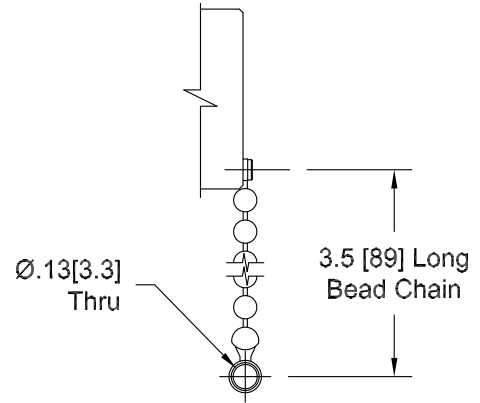
SPECIFICATIONS:

Electrical:

Frequency Range _____ DC – 7.5 GHz
Reflection _____ 100% Nominal

Mechanical:

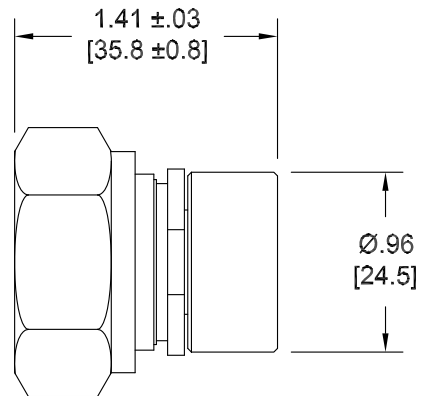
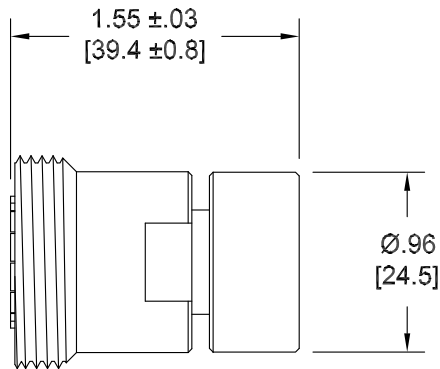
7/16 DIN Connectors _____ Silver or White Bronze
Mates with DIN 47 223 _____ Plated Brass
Conductors _____ Silver or White Bronze
Plated Beryllium Copper
Housing _____ Silver Plated Brass
Bead Chain _____ Passivated Stainless Steel



CHAIN DETAIL

Model Number: **7011**
7/16 – DIN Female Connector

Model Number: **7012**
7/16 – DIN Male Connector



HOW TO ORDER:

Model Number: **70XXY**
Base Model Number | Style
7011 = Female | = No Chain
7012 = Male | C = Chain Included

Ordering Examples:

Model Number: **7012C**
DC – 7.5 GHz; 7/16 – DIN Male; Chain Included

Model Number: **7011**
DC – 7.5 GHz; 7/16 – DIN Female; No Chain

Note: Dimensions in Brackets are Expressed in Millimeters and are for Reference Only.
Design specifications are subject to change without notice.
Contact factory for technical specifications before purchasing or use.