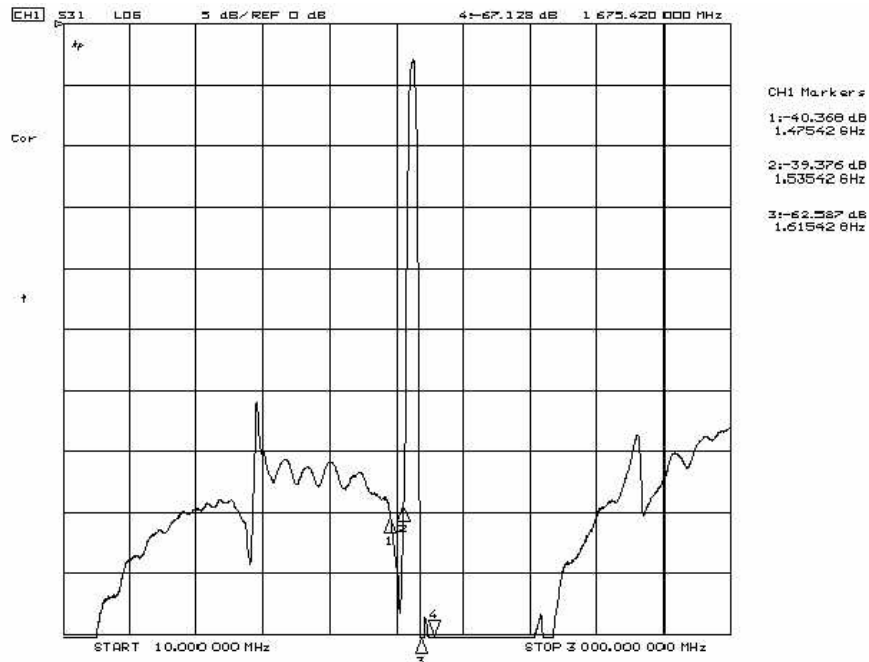
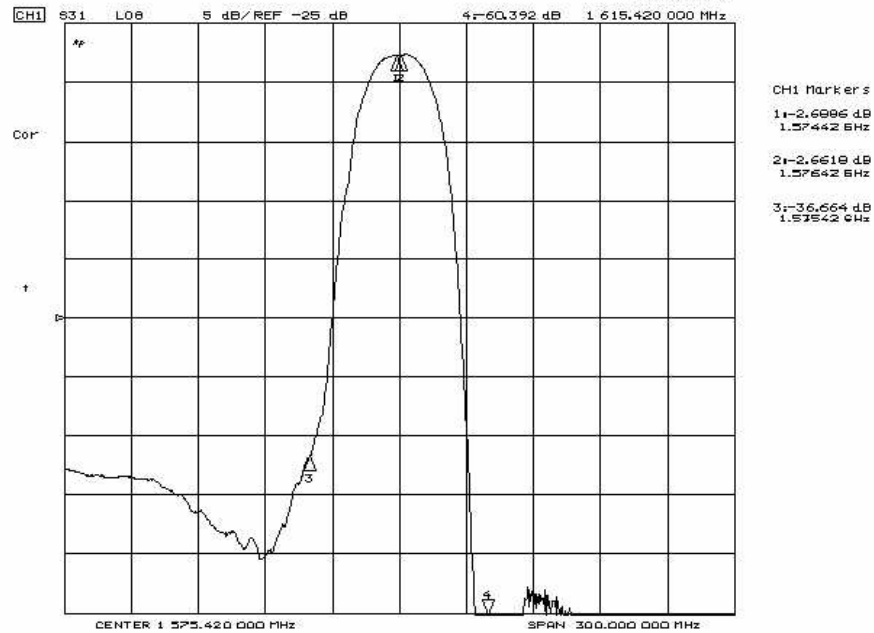


## DESCRIPTION

- 1575.42 MHz SAW bandpass filter with a 35 MHz bandwidth for GPS applications.
- 2.5 x 2 mm LCC package.
- RoHS compliant.

## TYPICAL PERFORMANCE



## SPECIFICATION

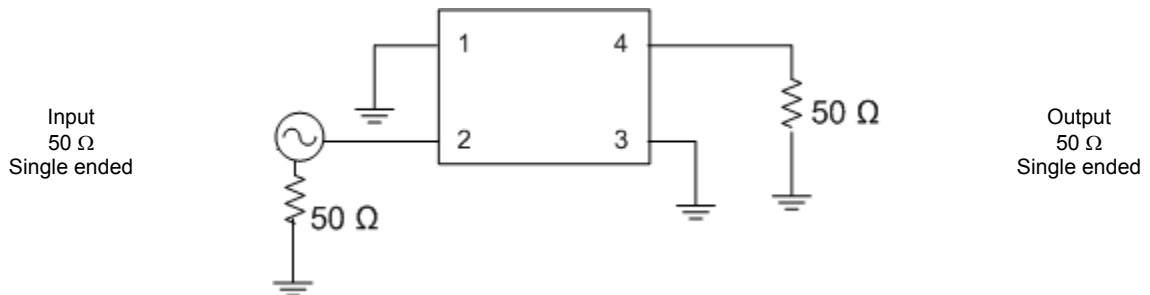
Parameter	Min	Typ	Max	Units
Center Frequency $F_c$	-	1575.42	-	MHz
Insertion Loss <sup>1</sup>	-	2.7	3.5	dB
Passband Amplitude Ripple <sup>1</sup>	-	0.1	1.0	dB
Stopband Rejection, 1475.42 MHz <sup>2</sup>	35	40	-	dB
Stopband Rejection, 1535.42 MHz <sup>2</sup>	30	37	-	dB
Stopband Rejection, 1615.42 MHz <sup>2</sup>	30	60	-	dB
Stopband Rejection, 1675.42 MHz <sup>2</sup>	40	62	-	dB
VSWR <sup>1</sup>	-	1.2	2.0	--
Source and Load Impedance	50			ohms
Ambient Temperature	25			°C

- Notes:
1. Defined over 1574.42 to 1576.42 MHz.
  2. Relative to insertion loss.

## MAXIMUM RATINGS

Parameter	Min	Max	Units
Storage Temperature Range	-50	100	°C
Operating temperature Range	-40	85	°C
Input Power Level	-	10	dBm
Max. D. C. Voltage between Each Terminal	-	5	V

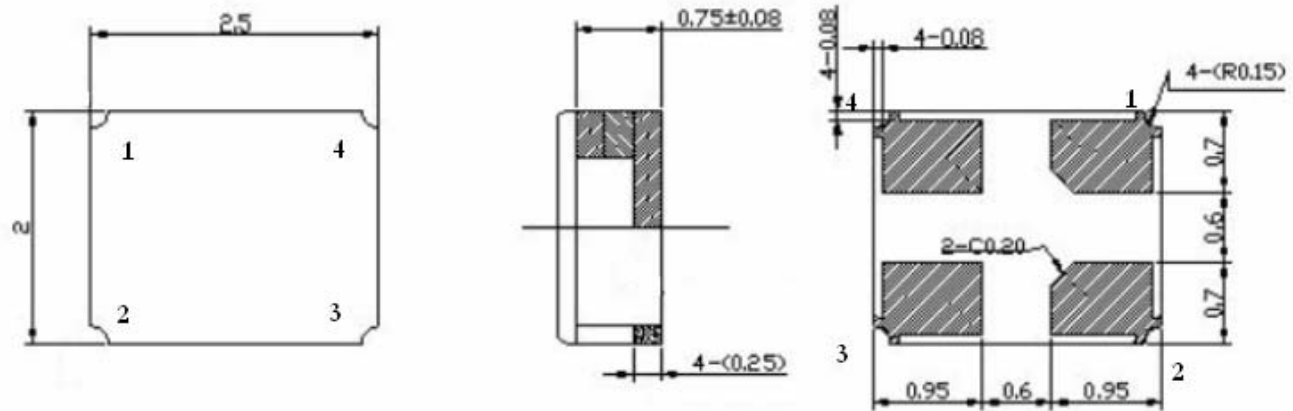
## TEST CIRCUIT



Notes:

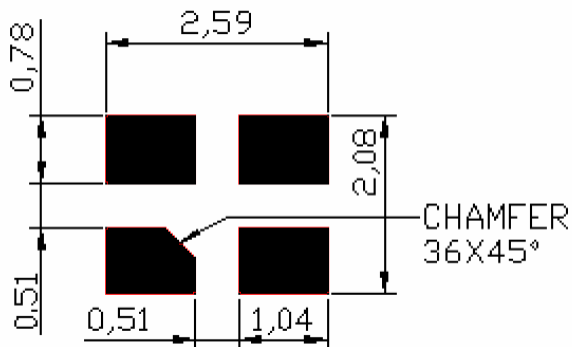
- Circuit operates in 50 ohm system, single-ended.
- No matching circuit is required.

## PACKAGE OUTLINE



Package Material:  
Body:  $Al_2O_3$  ceramic  
Lid: Kovar, Ni plated  
Terminations: Au plating 1  $\mu$ m min,  
over a 1.3-8.9  $\mu$ m Ni plating

## SUGGESTED FOOTPRINT



PAD NO.	DESCRIPTION
2	INPUT
4	OUTPUT
1,3	GROUND

NOTES:  
DIMENSIONS IN MM

ISO 9001  
Registered

All specifications are believed to be accurate and reliable. However, Spectrum Microwave reserves the right to make changes without notice.  
© 2010 All rights reserved.

**Spectrum Microwave**  
324 Clark Street, Worcester, MA 01606, USA • Phone 1-508-852-5400 • Fax 1-508-852-8456  
[www.SpectrumMicrowave.com](http://www.SpectrumMicrowave.com)

DSSF1575BA02532S Rev X4 1-Mar-2010  
ECN 36650 Page 3 of 3