

SPECIFICATION

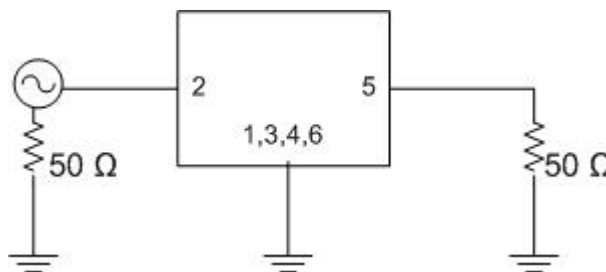
Parameter	Min	Typ	Max	Units
Nominal Center Frequency F_c	-	948	-	MHz
Passband	944	-	952	MHz
Maximum Insertion Loss over the Passband	-	3.1	4	dB
Absolute Delay	-	30	-	ns
Rejection (0.3 to 875 MHz) ¹	40	45	-	dB
Rejection (875 to 933 MHz) ¹	10	20	-	dB
Rejection (963 to 1030 MHz) ¹	10	11	-	dB
Rejection (1030 to 1350 MHz) ¹	40	51	-	dB
Rejection (1350 to 1500 MHz) ¹	50	56	-	dB
Amplitude Variation over the Passband	-	0.5	1.5	dB p-p
Group Delay Ripple in Passband	-	5	200	ns p-p
Source/Load Impedance	50			ohms
Temperature Coefficient of Frequency, T_c ²	-	-32	-	ppm/°C
Ambient Temperature (T_{ref})	-	23	-	°C

- Notes:
1. Absolute level
 2. Typical shift of filter frequency response with temperature is $\Delta f = (T - T_{ref}) * T_c * F_c$.

MAXIMUM RATINGS

Parameter	Min	Max	Units
Storage Temperature Range	-45	85	°C
Operating Temperature Range	-30	60	°C
Input Power Level	-	10	dBm

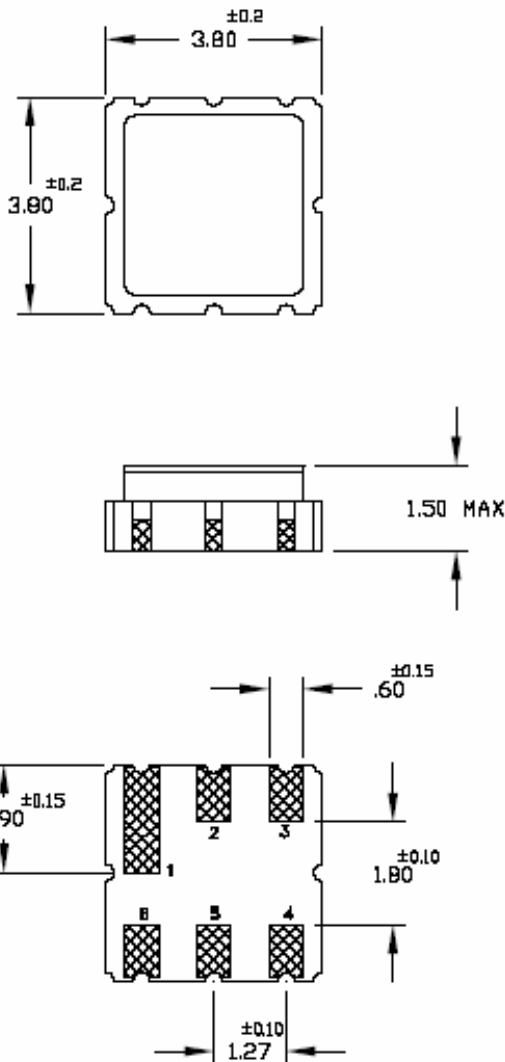
MATCHING CIRCUIT



Notes:

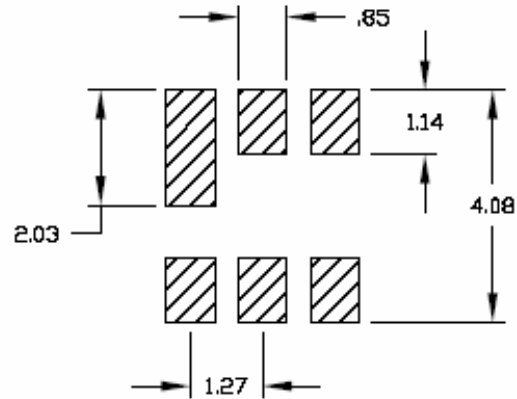
- 50 ohm single ended operation.
- Matching components are not required.

PACKAGE OUTLINE



Package Material:
Body: Al_2O_3 ceramic
Lid: Kovar, Ni plated
Terminations: Au plating 1 μm min,
over a 1.3-8.9 μm Ni plating

SUGGESTED FOOTPRINT



Units: mm

Tolerances are ± 0.15 mm except where indicated.

Pad Configuration:

Input: 2
Output: 5
Ground: 1, 3, 4, 6

ISO 9001
Registered

All specifications are believed to be accurate and reliable. However, Spectrum Microwave reserves the right to make changes without notice.
© 2010 All rights reserved.