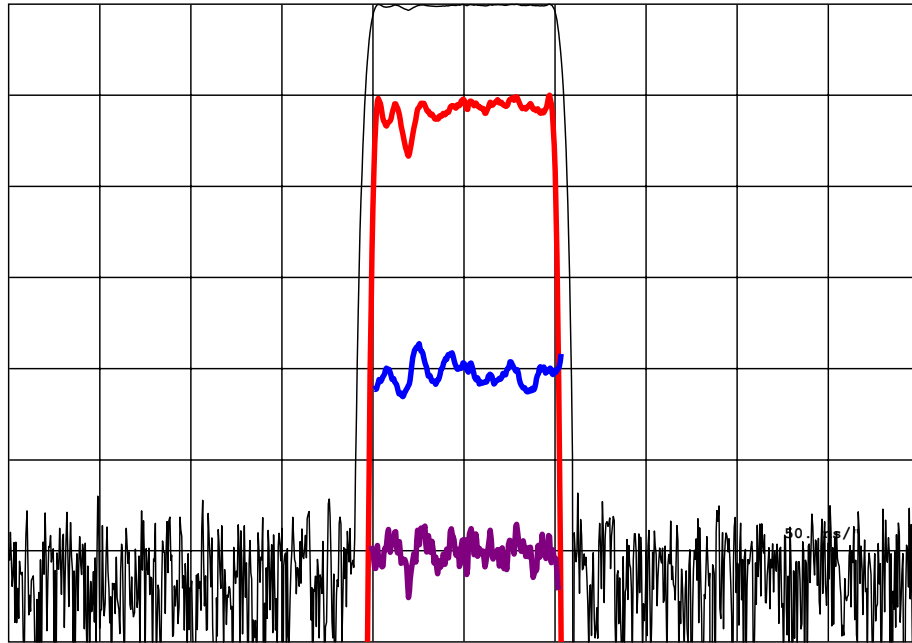


DESCRIPTION

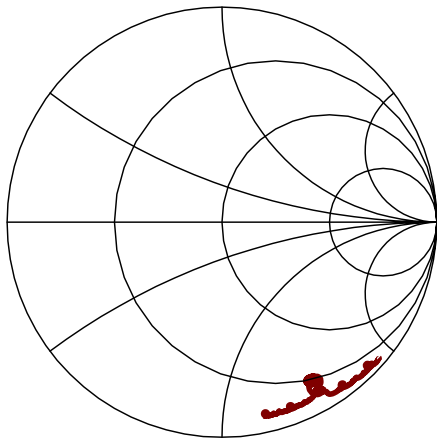
- 70 MHz SAW bandpass filter with 10 MHz bandwidth.
- 22.1 x 12.7 mm 14-6 DIP package.
- RoHS compliant.

TYPICAL PERFORMANCE

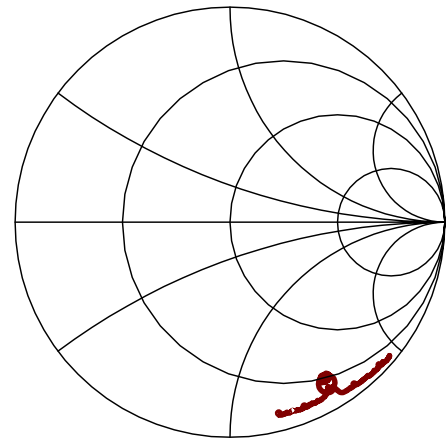


Horizontal:	Frequency :	5	MHz/div
Vertical:	Relative Magnitude :	10	dB/div
	Relative Magnitude :	1	dB/div
	Phase Linearity :	5	deg/div
	Group Delay :	50	ns/div

S11 (45-95 MHz)



S22 (45-95 MHz)



SPECIFICATION

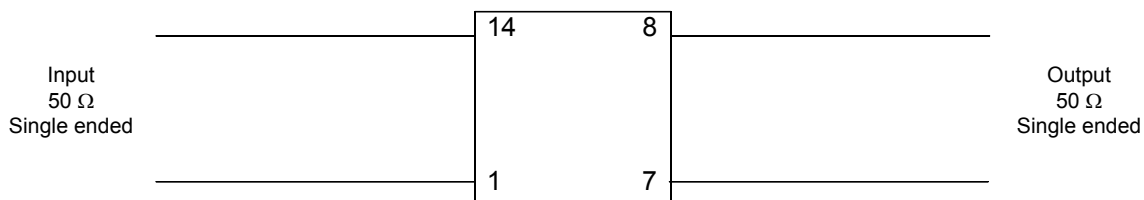
Parameter	Min	Typ	Max	Units
Center Frequency, F_c ¹	69.85	70.0	70.15	MHz
Insertion Loss at F_c	-	25.8	27	dB
1 dB Bandwidth	9.0	9.9	-	MHz
3 dB Bandwidth	10.0	10.2	-	MHz
40 dB Bandwidth	-	11.7	12.0	MHz
Passband Ripple	-	0.7	1	dB p-p
Phase Ripple	-	2	4	
Group Delay Ripple	-	40	60	ns p-p
Absolute Delay	-	2.5	-	us
Ultimate Rejection	50	60	-	dB
Source and Load Impedance	50			ohms
Temperature Coefficient of Frequency	-86			ppm/°C
Ambient Temperature	-	25	-	°C

Note: 1. Computed as the mean value of the 3 dB points.

MAXIMUM RATINGS

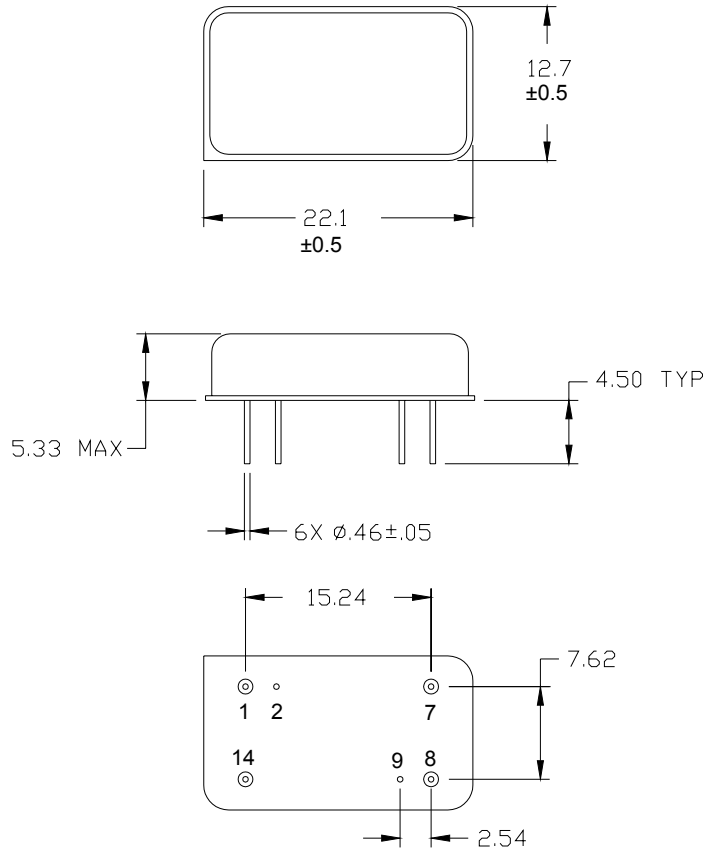
Parameter	Min	Max	Units
Storage Temperature Range	-40	85	°C
Input Power Level	-	10	dBm

MATCHING CIRCUIT



Note: External matching components are not required.

PACKAGE OUTLINE



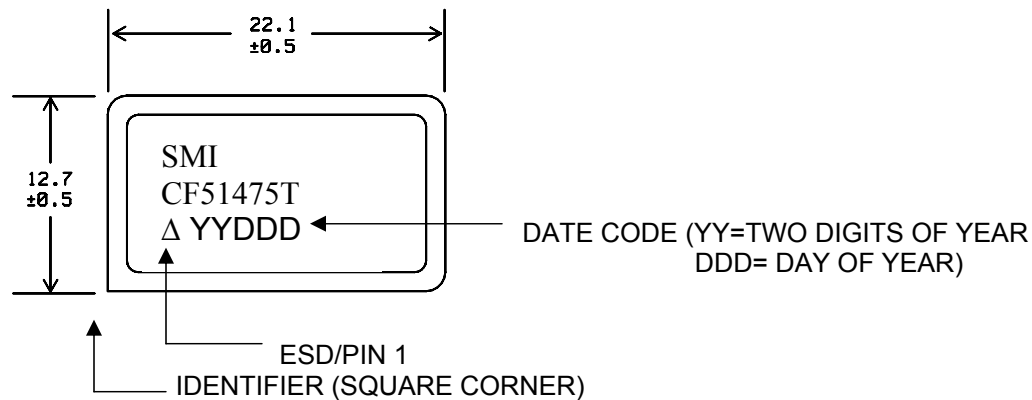
Units: mm

Tolerances are typically ± 0.15 mm except where indicated.

Pin Configuration:

Input: 14
Input return: 1
Output: 8
Output Return: 7
Ground: 2, 9

MARKING



ISO 9001
Registered

All specifications are believed to be accurate and reliable. However, Spectrum Microwave reserves the right to make changes without notice.
© 2010 All rights reserved.