

DC BLOCKS
TYPE F

10 MHz - 2 GHz
200 VOLTS



MODELS: 8174, 8175, 8176

SPECIFICATIONS:

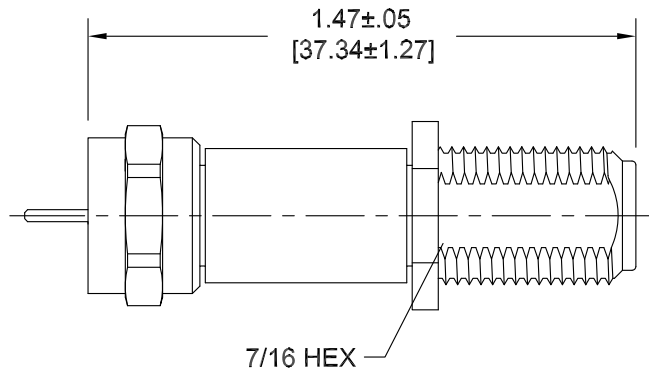
Electrical:

Frequency Range _____ 10 MHz – 2 GHz
 VSWR _____ 1.35:1 Max.
 Impedance _____ 75 Ohms
 Insertion Loss _____ 0.5 dB Max.
 Voltage Rating _____ 200 Volts
 Operating Temp. Range _____ -55°C to +80°C

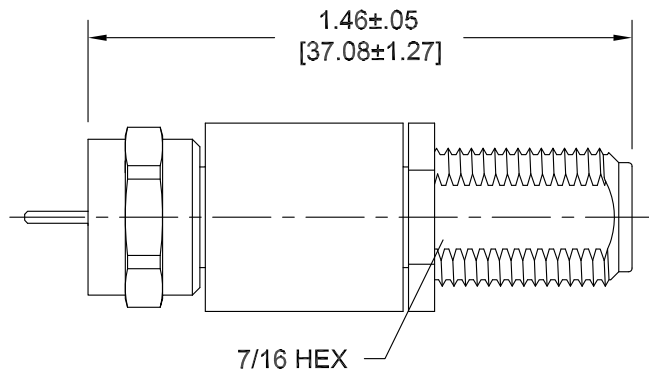
Mechanical:

Connectors _____ Bright Acid Tin &
 Nickel Plated Brass
 Conductors _____ Gold & Nickel Plated Brass
 Barrels
 Inner Only _____ Passivated Stainless Steel
 Outer & Inner/Outer _____ High Temperature Plastic

Model Number: **8174**
 Inner Only



Model Number: **8175**
 Outer Only



Model Number: **8176**
 Inner / Outer

Note: Dimensions in Brackets are Expressed in Millimeters and are for Reference Only.
 Design specifications are subject to change without notice.
 Contact factory for technical specifications before purchasing or use.