

ADAPTERS, IN-SERIES SMA

DC - 18 GHz



MODELS: 5010, 5020, 5030 & 5043

SPECIFICATIONS:

Electrical:

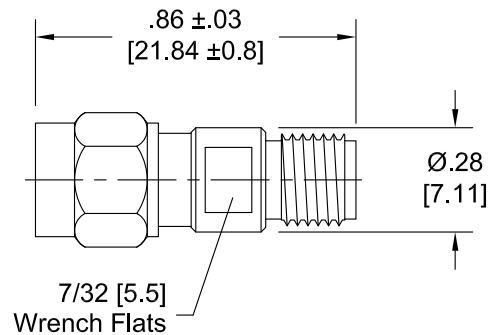
Frequency Range _____ DC - 18.0 GHz
 VSWR _____ See Below
 Impedance _____ 50 Ohms
 Operating Temp Range _____ -65°C to +125°C

Mechanical:

Connectors _____ See Below
 (Mates with MIL-STD-348)
 Conductors _____ Gold Plated Beryllium Copper

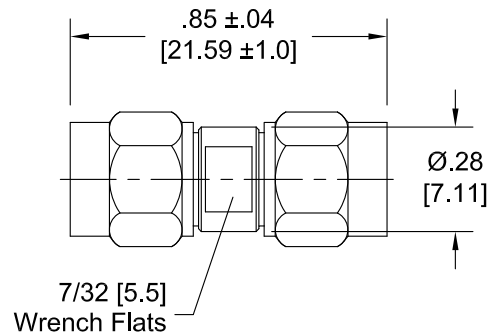
Model Number: **5030**
 Male/Female Connectors
 Passivated Stainless Steel

VSWR
 DC - 4 GHz _____ 1.05:1 Max.
 4 - 8 GHz _____ 1.10:1 Max.
 8 - 18 GHz _____ 1.15:1 Max.



Model Number: **5020**
 Male/Male Connectors
 Passivated Stainless Steel

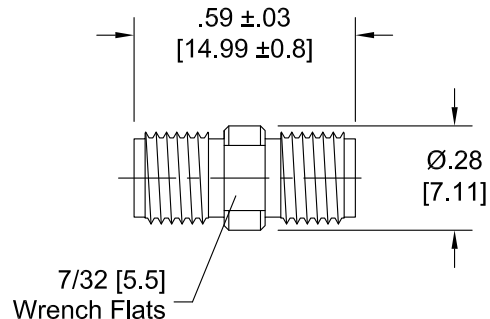
VSWR
 DC - 4 GHz _____ 1.05:1 Max.
 4 - 8 GHz _____ 1.10:1 Max.
 8 - 18 GHz _____ 1.15:1 Max.



Model Number: **5010**
 Female/Female Connectors
 Passivated Stainless Steel

Model Number: **5043**
 Female/Female Connectors
 Gold Plated Stainless Steel

VSWR
 DC - 8 GHz _____ 1.10:1 Max.
 8 - 18 GHz _____ 1.15:1 Max.



Note: Dimensions in Brackets are Expressed in Millimeters and are for Reference Only.
 Design specifications are subject to change without notice.
 Contact factory for technical specifications before purchasing or use.