

# ADAPTERS, BETWEEN SERIES 7/16 - DIN / TNC

DC - 7.5 GHz



MODELS: 5708, 5709, 5710, 5711

## SPECIFICATIONS:

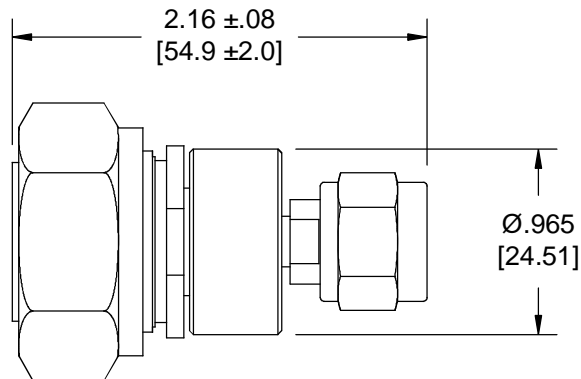
### Electrical:

Frequency Range \_\_\_\_\_ DC – 7.5 GHz  
 VSWR \_\_\_\_\_ 1.35:1 Max.  
 Impedance \_\_\_\_\_ 50 Ohms  
 Operating Temp. Range \_\_\_\_\_ -65°C to +125°C

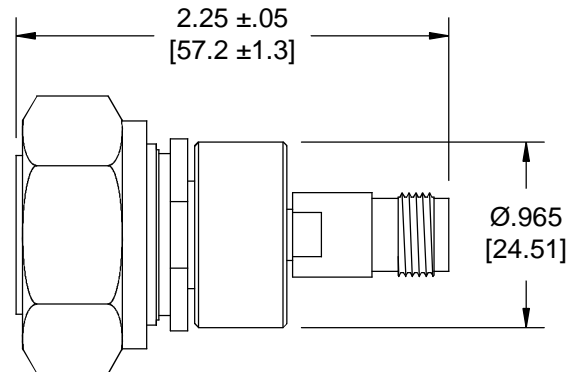
### Mechanical:

TNC Connectors \_\_\_\_\_ Passivated Stainless Steel  
Mates with MIL-STD-348  
 7/16 DIN Connectors \_\_\_\_\_ Silver or White Bronze  
Mates with DIN 47 223 \_\_\_\_\_ Plated Brass  
 Conductors \_\_\_\_\_ Silver or White Bronze  
 \_\_\_\_\_ Plated Beryllium Copper

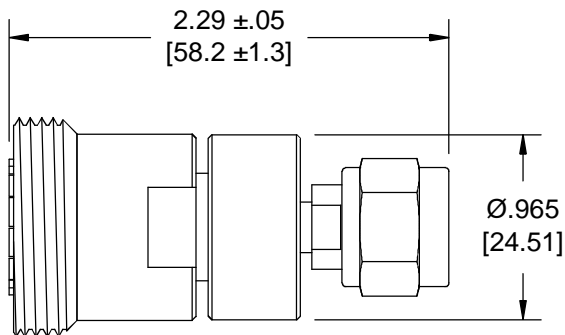
Model Number: **5711**  
 7/16 – DIN Male / TNC Male



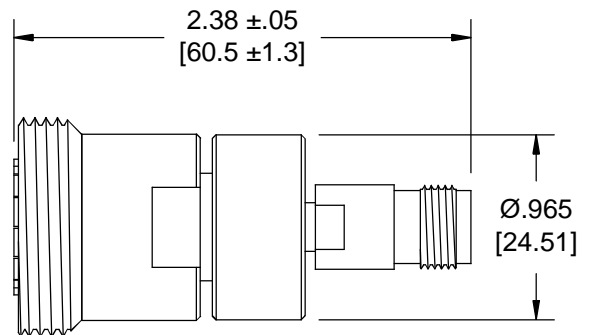
Model Number: **5710**  
 7/16 – DIN Male / TNC Female



Model Number: **5709**  
 7/16 – DIN Female / TNC Male



Model Number: **5708**  
 7/16 – DIN Female / TNC Female



Note: Dimensions in Brackets are Expressed in Millimeters and are for Reference Only.  
 Design specifications are subject to change without notice.  
 Contact factory for technical specifications before purchasing or use.

5711; REV F