

ADAPTERS, BETWEEN SERIES TYPE N / SMA

UP TO 18 GHz FLANGE MOUNT



MODELS: 5306, 5307, 5308 & 5309

SPECIFICATIONS:

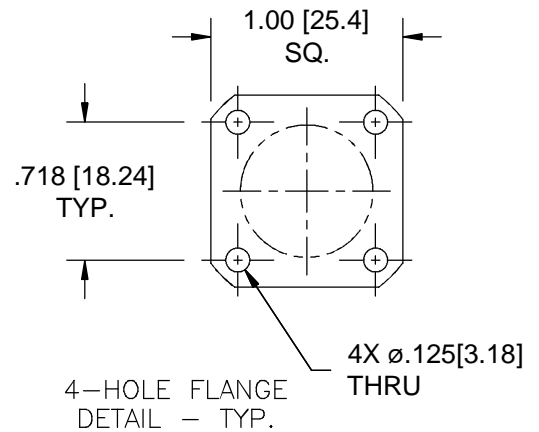
Electrical:

Frequency Range _____ DC - 18 GHz
 Standard Freq. Values _____ 6* & 18 GHz
 VSWR
 DC - 4 GHz _____ 1.04:1 Max.
 4 - 8 GHz _____ 1.07:1 Max.
 8 - 18 GHz _____ 1.12:1 Max.
 Impedance _____ 50 Ohms
 Operating Temp Range _____ -65°C to +125°C

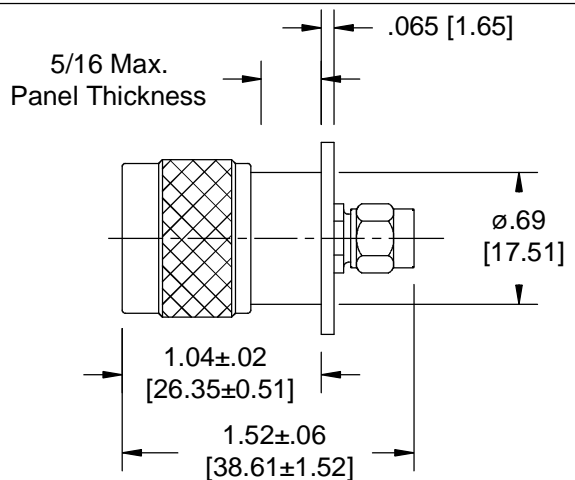
Mechanical:

Connectors _____ Passivated Stainless Steel
 (Mates with MIL-STD-348)
 Conductors _____ Gold Plated Beryllium Copper

*For DC - 6 GHz Units add -067 to the Model Number

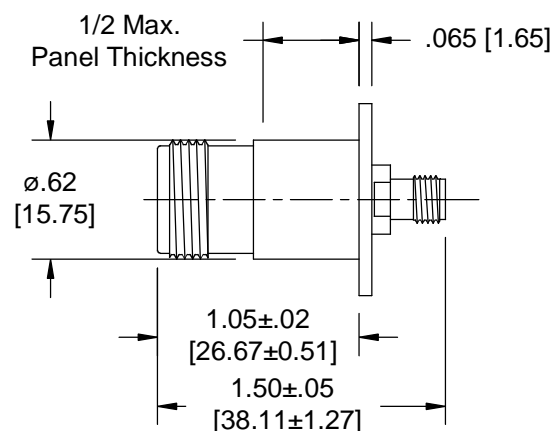


Model Number: **5306**
 Type N Male / SMA Male
 Length: 1.52 ±.06 [38.61 ±1.52]
 As Pictured



Model Number: **5308**
 Type N Male / SMA Female
 Length: 1.48 ±.05 [37.59 ±1.27]
 Not Shown

Model Number: **5307**
 Type N Female / SMA Male
 Length: 1.54 ±.05 [39.12±1.27]
 Not Shown



Model Number: **5309**
 Type N Female / SMA Female
 Length: 1.50 ±.05 [38.1 ±1.27]
 As Pictured

HOW TO ORDER:

Model Number: **530X-YYY**
 Base Number | Frequency Range
 = DC - 18 GHz
 067 = DC - 6 GHz

Ordering Examples:

Model Number: **5307**
 DC - 18 GHz; Type N Fem/SMA Male

Model Number: **5306-067**
 DC - 6 GHz; Type N Male/SMA Male

Note: Dimensions in Brackets are Expressed in Millimeters and are for Reference Only.
 Design specifications are subject to change without notice.
 Contact factory for technical specifications before purchasing or use.

5306; REV C