

# ADAPTERS, BETWEEN SERIES TYPE N / 1.85mm

## DC - 18 GHz PRECISION



MODELS: 5242, 5243, 5244, 5245

### SPECIFICATIONS:

#### Electrical:

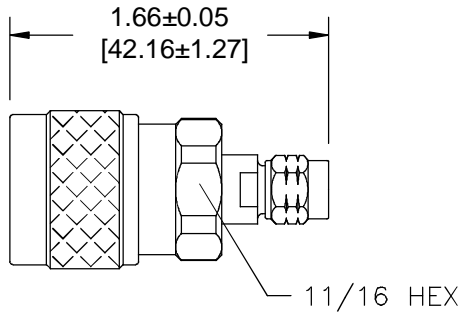
Frequency Range \_\_\_\_\_ DC – 18.0 GHz  
VSWR \_\_\_\_\_ 1.25:1 Max.  
Impedance \_\_\_\_\_ 50 Ohms  
Operating Temp Range \_\_\_\_\_ -65°C to +125°C

#### Mechanical:

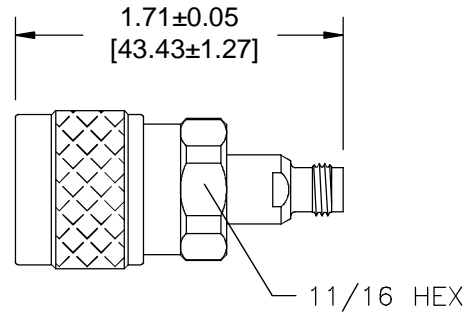
Type N Connectors \_\_\_\_\_ Passivated Stainless Steel  
(Mates with MIL-STD-348)  
1.85mm Connectors \_\_\_\_\_ Passivated Stainless Steel  
(Mates with 2.4mm & V\* Connectors)  
Conductors \_\_\_\_\_ Gold Plated Beryllium Copper

\*V is a trademark of Anritsu Corp.

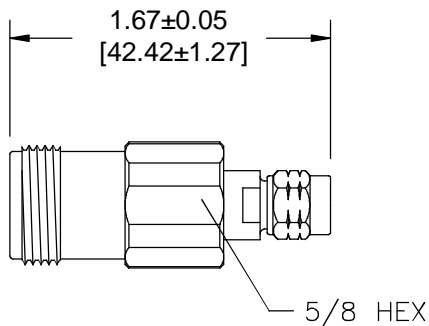
Model Number: **5242**  
Type N Male to 1.85mm Male



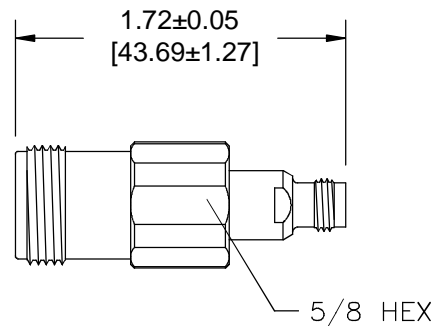
Model Number: **5244**  
Type N Male to 1.85mm Female



Model Number: **5243**  
Type N Female to 1.85mm Male



Model Number: **5245**  
Type N Female to 1.85mm Female



Note: Dimensions in Brackets are Expressed in Millimeters and are for Reference Only.  
Design specifications are subject to change without notice.  
Contact factory for technical specifications before purchasing or use.