

ADAPTERS, BETWEEN SERIES DC - 40 GHz 2.9mm / 2.4mm BULKHEAD MOUNT



MODELS: 5237

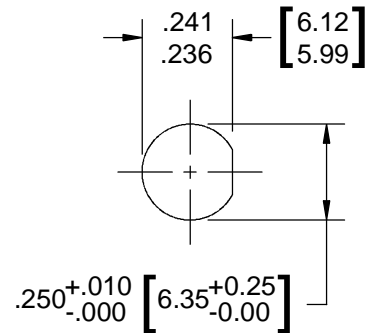
SPECIFICATIONS:

Electrical:

Frequency Range _____ DC – 40 GHz
 VSWR _____ 1.35:1 Max.
 Impedance _____ 50 Ohms
 Operating Temp Range _____ -65°C to +125°C

Mechanical:

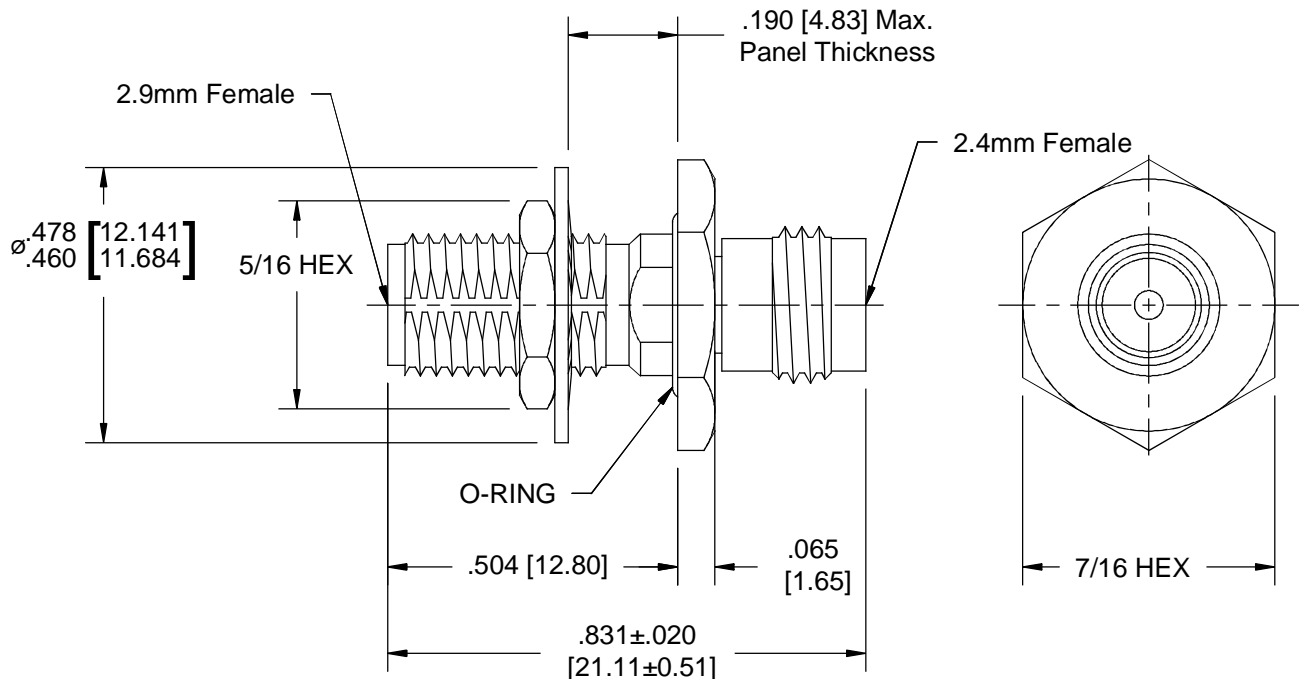
2.9mm Connector _____ Passivated Stainless Steel
 (Mates both Mechanically & Electrically with
 all SMA, K* & 3.5mm Series Connectors)
 2.4mm Connector _____ Passivated Stainless Steel
 Conductors _____ Gold Plated Beryllium Copper
 Nut & Washer: _____ Passivated Stainless Steel
 O-Ring _____ Silicone Rubber



Recommended
Mounting Hole

* K is a Trademark of Wiltron Corp.

Model Number: **5237**



Panel Nut, Lock Washer and O-Ring are Shipped Unassembled.

Note: Dimensions in Brackets are Expressed in Millimeters and are for Reference Only.
 Design specifications are subject to change without notice.
 Contact factory for technical specifications before purchasing or use.

5237; REV B

300 Dino Drive • Ann Arbor, MI 48103-9457 U.S.A. • 888-244-6638 or 734-426-5553 • FAX 734-426-5557 • inmet.apitech.com