

ADAPTERS, BETWEEN SERIES TYPE N / 2.9mm

DC - 18 GHz PRECISION



MODELS: 5166, 5167, 5168, 5169

SPECIFICATIONS:

Electrical:

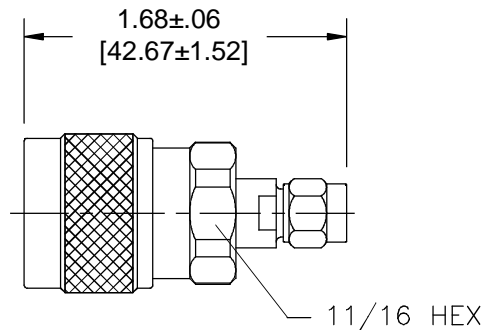
Frequency Range _____ DC – 18 GHz
 VSWR _____ 1.15:1 Max.
 Impedance _____ 50 Ohms
 Operating Temp. Range _____ -65°C to +125°C

Mechanical:

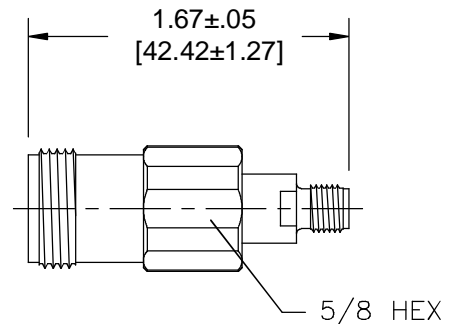
Type N Connectors _____ Passivated Stainless Steel
Mates with MIL-STD-348
 2.9mm Connectors _____ Passivated Stainless Steel
Mates both Mechanically & Electrically with
 all SMA, K* & 3.5mm Series Connectors.
 Conductors _____ Gold Plated Beryllium Copper
 or Phosphor Bronze

*K is a Trademark of Wiltron Corp.

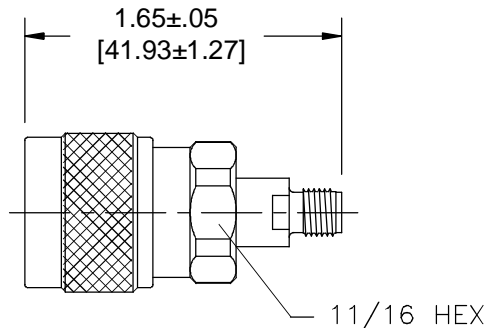
Model Number: **5166**
 Type N Male / 2.9mm Male



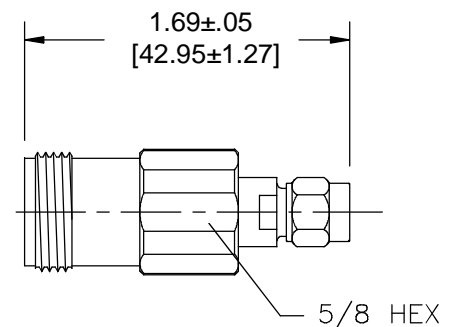
Model Number: **5167**
 Type N Female / 2.9mm Female



Model Number: **5168**
 Type N Male / 2.9mm Female



Model Number: **5169**
 Type N Female / 2.9mm Male



Note: Dimensions in Brackets are Expressed in Millimeters and are for Reference Only.
 Design specifications are subject to change without notice.
 Contact factory for technical specifications before purchasing or use.

5166; REV A