

ADAPTERS, BETWEEN SERIES 7mm / 3.5mm

DC - 18 GHz PRECISION



MODELS: 5140, 5141

SPECIFICATIONS:

Electrical:

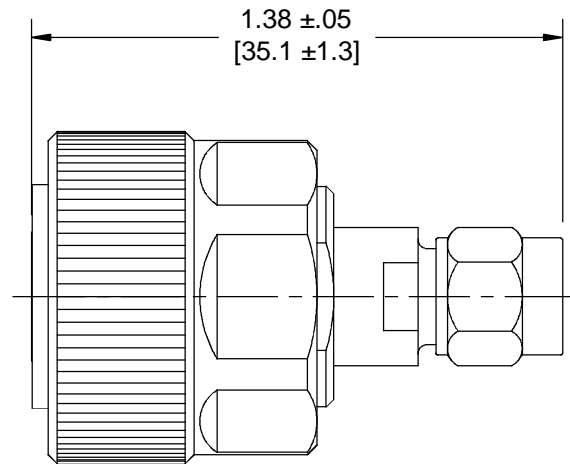
Frequency Range _____ DC – 18 GHz
 VSWR _____ 1.08:1 Max.
 Impedance _____ 50 Ohms
 Operating Temp. Range _____ -65°C to +125°C

Mechanical:

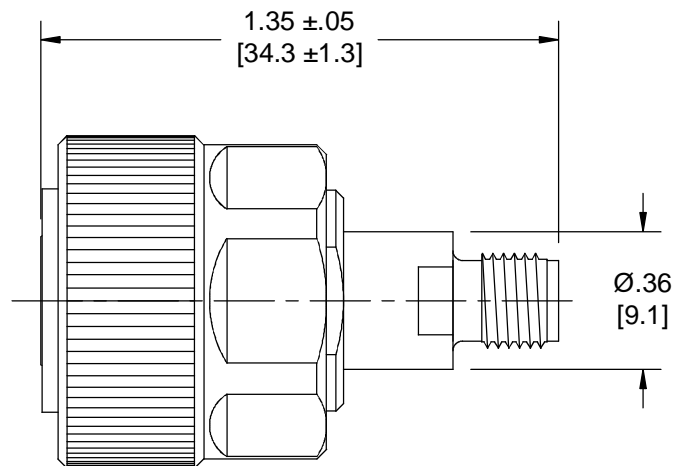
3.5mm Connectors _____ Passivated Stainless Steel
Mates both Electrically and Mechanically with all SMA & K* Series Connectors.
 7mm Connectors _____ Electropolished Stainless Steel
IAW IEEE STD 287
 Conductors _____ Gold Plated Beryllium Copper

K* is a Trademark of Wiltron Corp.

Model Number: **5140**
 7mm / 3.5mm Male



Model Number: **5141**
 7mm / 3.5mm Female



Note: Dimensions in Brackets are Expressed in Millimeters and are for Reference Only.
 Design specifications are subject to change without notice.
 Contact factory for technical specifications before purchasing or use.

5140; REV C