

# ADAPTERS, BETWEEN SERIES TYPE N / SMA

## DC - 18 GHz PRECISION



MODELS: 5106, 5107, 5108, 5109

### SPECIFICATIONS:

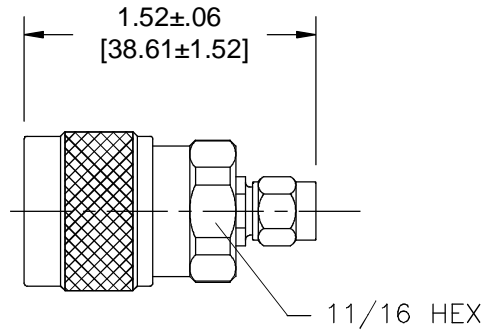
#### Electrical:

Frequency Range \_\_\_\_\_ DC – 18 GHz  
 VSWR  
 DC – 4 GHz \_\_\_\_\_ 1.04:1 Max.  
 4 – 8 GHz \_\_\_\_\_ 1.07:1 Max.  
 8 – 18 GHz \_\_\_\_\_ 1.12:1 Max.  
 Impedance \_\_\_\_\_ 50 Ohms  
 Operating Temp. Range \_\_\_\_\_ -65°C to +125°C

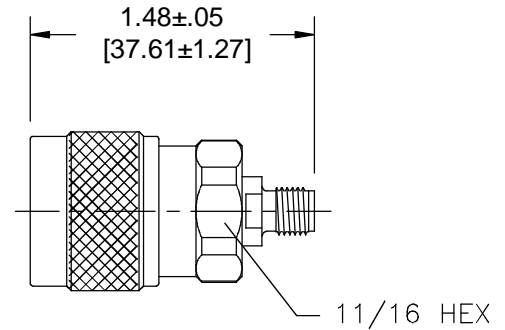
#### Mechanical:

Connectors \_\_\_\_\_ Passivated Stainless Steel  
 Mates with MIL-STD-348  
 Conductors \_\_\_\_\_ Gold Plated Beryllium Copper

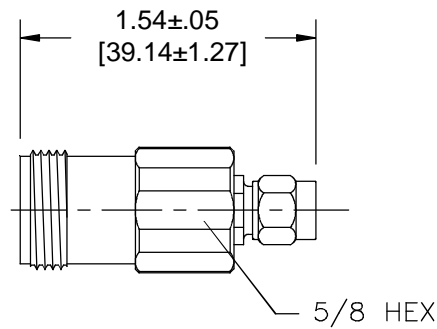
Model Number: **5106**  
 Type N Male / SMA Male



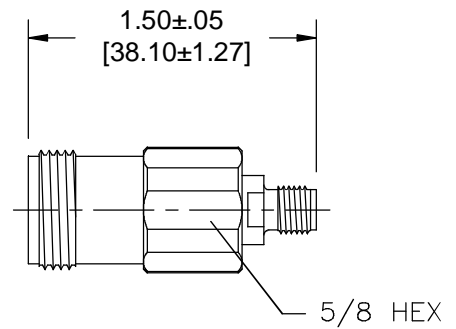
Model Number: **5108**  
 Type N Male / SMA Female



Model Number: **5107**  
 Type N Female / SMA Male



Model Number: **5109**  
 Type N Female / SMA Female



Note: Dimensions in Brackets are Expressed in Millimeters and are for Reference Only.  
 Design specifications are subject to change without notice.  
 Contact factory for technical specifications before purchasing or use.