

ADAPTERS, IN-SERIES

3.5mm

DC - 34 GHz



MODELS: 5084, 5085, 5086

SPECIFICATIONS:

Electrical:

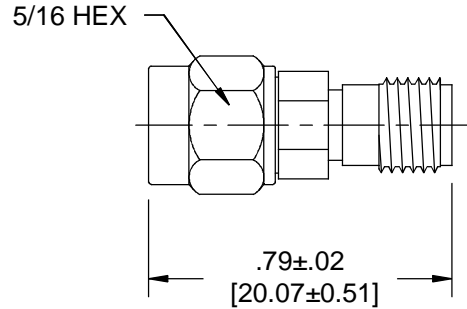
Frequency Range _____ DC – 34 GHz
 VSWR _____ 1.25:1 Max.
 Impedance _____ 50 Ohms
 Operating Temp. Range _____ -65°C to +125°C

Mechanical:

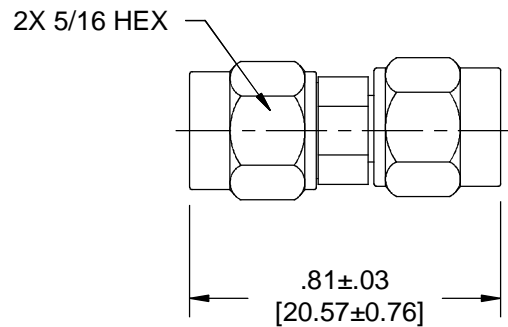
3.5mm Connectors _____ Passivated Stainless Steel
Mates both Mechanically & Electrically with all SMA, K* Series Connectors.
 Conductors _____ Gold Plated Beryllium Copper

*K are trademarks of Anritsu Corp.

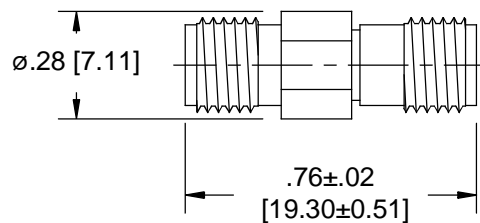
Model Number: **5084**
 Male/Female Connectors



Model Number: **5085**
 Male/Male Connectors



Model Number: **5086**
 Female/Female Connectors



Note: Dimensions in Brackets are Expressed in Millimeters and are for Reference Only.
 Design specifications are subject to change without notice.
 Contact factory for technical specifications before purchasing or use.

5084; REV -