

ADAPTER, BETWEEN-SERIES QUICK CONNECT SMA TO TYPE N

DC - 18 GHz



MODELS: 5057Q, 5056Q

SPECIFICATIONS:

Electrical:

Frequency Range _____ DC - 18.0 GHz

VSWR: DC To 12.4GHz _____ 1.25:1 Maximum

12.4 To 18GHz _____ 1.30:1 Maximum

Impedance _____ 50 Ohms

Operating Temp Range _____ -65°C to +85°C

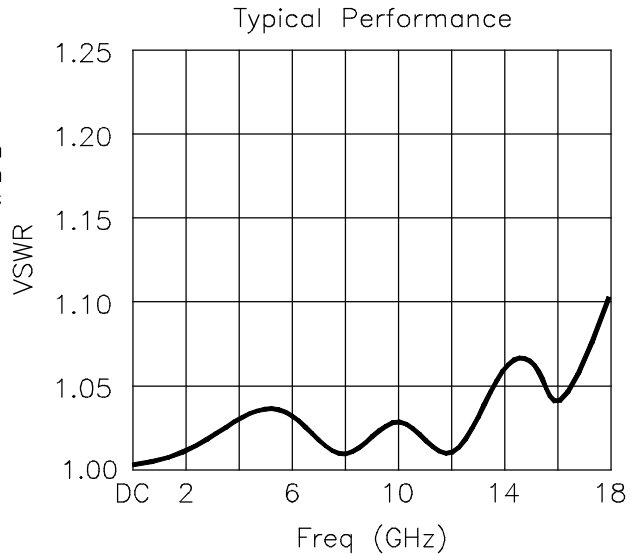
Mechanical:

Connectors _____ Mate with MIL-STD-348

Bodies _____ White Bronze Plated Brass
or Passivated Stainless Steel

SMA Coupling Nut _____ White Bronze Plated Brass

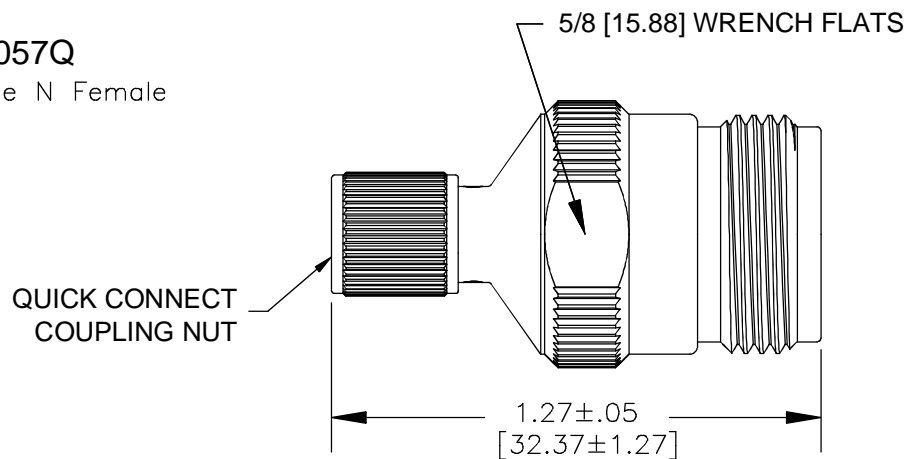
Type N Coupling Nut _____ Passivated Stainless Steel



Note: Gaskets are not Included on SMA Quick Connect Connectors

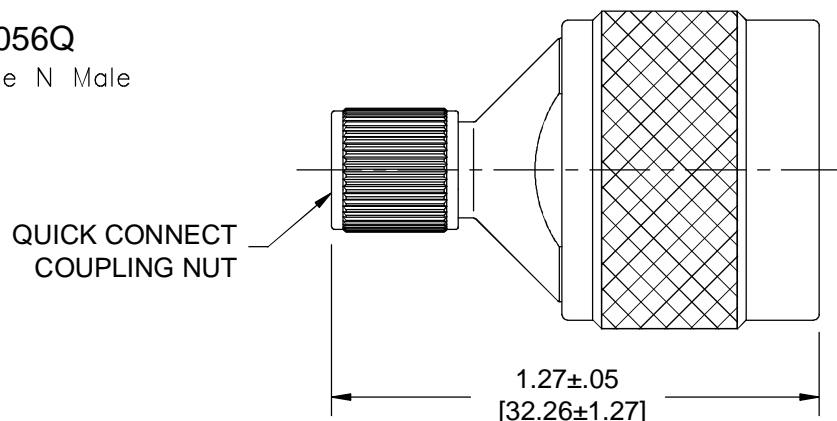
Model Number: **5057Q**

SMA Male to Type N Female



Model Number: **5056Q**

SMA Male to Type N Male



Note: Dimensions in Brackets are Expressed in Millimeters and are for Reference Only.

Design specifications are subject to change without notice.

Contact factory for technical specifications before purchasing or use.

5057Q; REV B

300 Dino Drive • Ann Arbor, MI 48103-9457 U.S.A. • 888-244-6638 or 734-426-5553 • FAX 734-426-5557 • inmet.apitech.com