

# ADAPTERS, BETWEEN SERIES TYPE N / SMA

## DC - 18 GHz ECONOMY



MODELS: 5056, 5057, 5058, 5059

### SPECIFICATIONS:

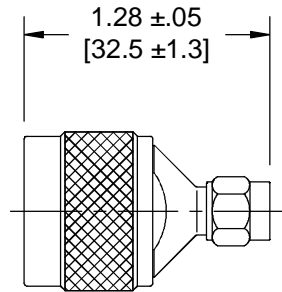
**Electrical:**

Frequency Range \_\_\_\_\_ DC – 18 GHz  
 VSWR \_\_\_\_\_ 1.25:1 Max.  
 Impedance \_\_\_\_\_ 50 Ohms  
 Operating Temp. Range \_\_\_\_\_ -65°C to +125°C

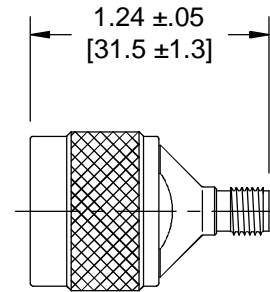
**Mechanical:**

Connectors \_\_\_\_\_ Passivated Stainless Steel  
Mates with MIL-STD-348  
 Conductors \_\_\_\_\_ Gold Plated Beryllium Copper

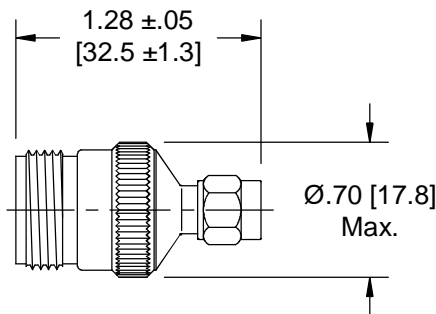
Model Number: **5056**  
 Type N Male / SMA Male



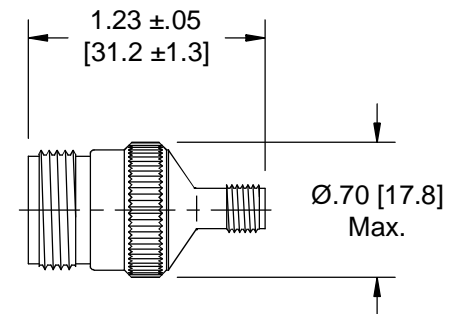
Model Number: **5059**  
 Type N Male / SMA Female



Model Number: **5057**  
 Type N Female / SMA Male



Model Number: **5058**  
 Type N Female / SMA Female



Note: Dimensions in Brackets are Expressed in Millimeters and are for Reference Only.  
 Design specifications are subject to change without notice.  
 Contact factory for technical specifications before purchasing or use.

5056; REV C