

ADAPTER, IN-SERIES QUICK CONNECT SMA

DC - 18 GHz



MODELS: 5030Q

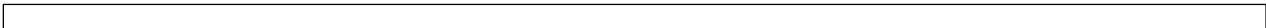
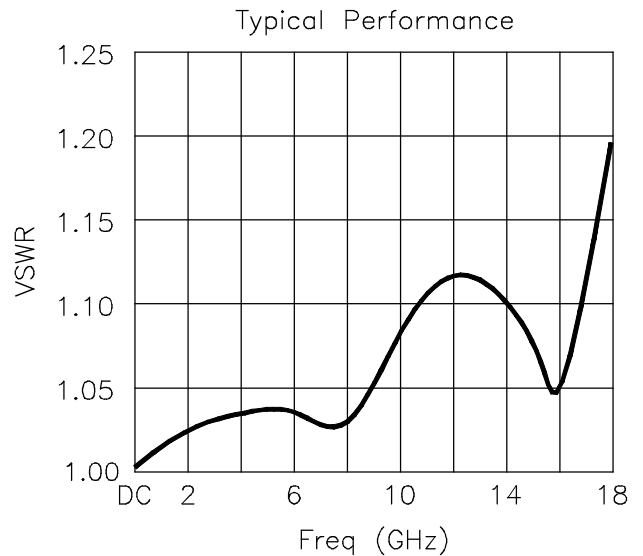
SPECIFICATIONS:

Electrical:

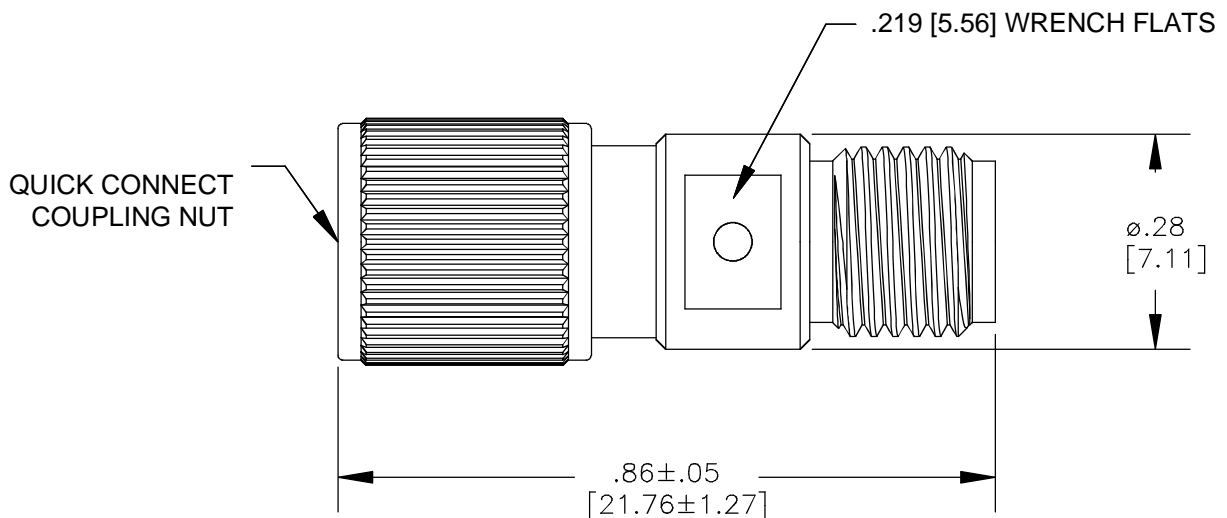
Frequency Range _____ DC - 18.0 GHz
 VSWR:
 DC To 6GHz _____ 1.15:1 Maximum
 6 To 12.4GHz _____ 1.20:1 Maximum
 12.4 To 18GHz _____ 1.25:1 Maximum
 Impedance _____ 50 Ohms
 Operating Temp Range _____ -65°C to +85°C

Mechanical:

Connectors _____ White Bronze Plated Brass
 (Mates with MIL-STD-348)
 Conductors _____ Gold Plated Beryllium Copper
 Coupling Nuts _____ White Bronze Plated Brass



Model Number: **5030Q**
 SMA Male to SMA Female



Note: Dimensions in Brackets are Expressed in Millimeters and are for Reference Only.
 Design specifications are subject to change without notice.
 Contact factory for technical specifications before purchasing or use.