

# BIAS TEES

## 7/16 DIN

## ENVIRONMENTALLY SEALED

# 500 MHz - 2.5 GHz

## 100 V. / 7 A.



MODELS: 8821DMFX-02, 8821DMMX-02, 8821DFFX-02, 8821DFMX-02

### SPECIFICATIONS:

#### Electrical:

Frequency Range \_\_\_\_\_ 500 MHz - 2.5 GHz  
 Insertion Loss \_\_\_\_\_ Typical \_\_\_\_\_ Maximum \_\_\_\_\_  
 500 MHz - 2.5 GHz \_\_\_\_\_ 0.25 dB \_\_\_\_\_ 0.50 dB  
 VSWR \_\_\_\_\_ Typical \_\_\_\_\_ Maximum \_\_\_\_\_  
 500 MHz - 2.5 GHz \_\_\_\_\_ 1.25:1 \_\_\_\_\_ 1.50:1  
 Isolation (RF to Bias Port) \_\_\_\_\_ > 20dB Typ.  
 3dB Bandwidth \_\_\_\_\_ 150 MHz - 3.5 GHz  
 Impedance \_\_\_\_\_ 50 Ohms  
 Bias-Path Resistance \_\_\_\_\_ 0.008 Ohms Typ., 0.025 Ohms Max.  
 DC Voltage \_\_\_\_\_ 100 VDC Max.  
 DC Current \_\_\_\_\_ 7 Amps Max.  
 RF Power \_\_\_\_\_ 50 Watts Max.

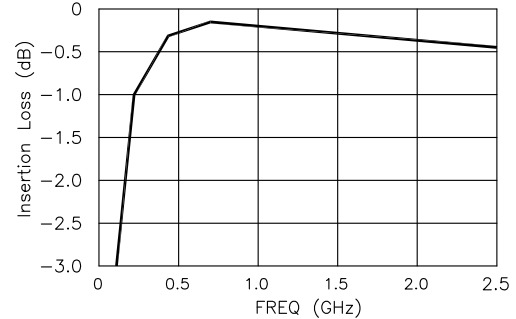
#### Environmental:

Operating Temperature Range \_\_\_\_\_ -55°C to +105°C  
 Storage Temperature Range \_\_\_\_\_ -60°C to +90°C

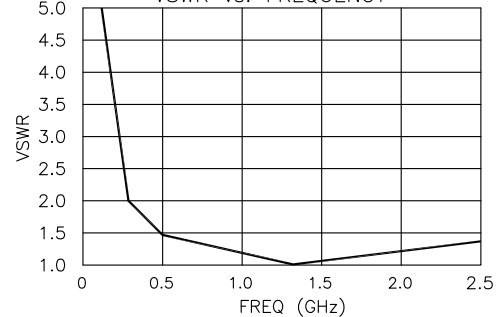
#### Mechanical:

7/16 DIN Connectors \_\_\_\_\_ Silver or White Bronze  
 Mates with DIN 47 223 \_\_\_\_\_ Plated Brass  
 SMA Connectors \_\_\_\_\_ Passivated Stainless Steel  
 Mates with MIL-STD-348 \_\_\_\_\_  
 BNC Connectors \_\_\_\_\_ Nickel Plated Brass  
 Mates with MIL-STD-348 \_\_\_\_\_  
 Conductors \_\_\_\_\_ Gold, Silver or White Bronze  
 \_\_\_\_\_ Plated Beryllium Copper  
 Body \_\_\_\_\_ Aluminum with Chemical Conversion Coating

Typical performance from 125 MHz - 2.5 GHz  
 INSERTION LOSS vs. FREQUENCY

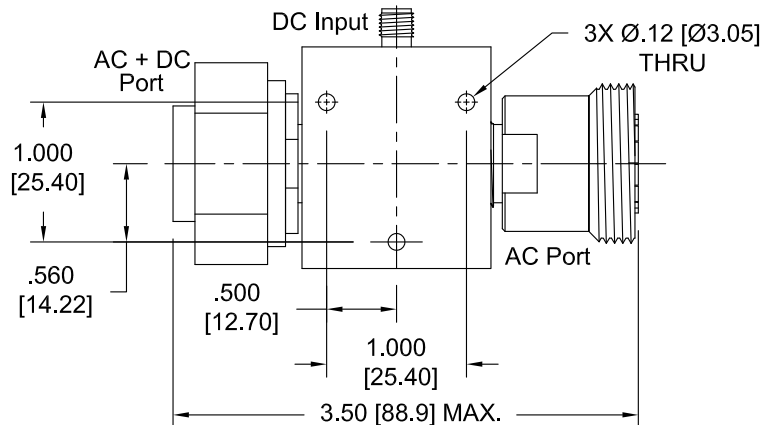
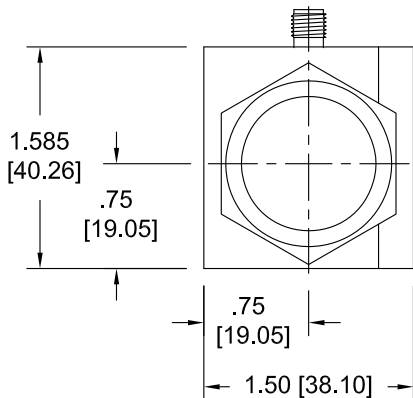


VSWR vs. FREQUENCY



THIS UNIT IS NOT RoHS COMPLIANT

Model Numbers	Connector Configuration Port		DC Input Connector		
	AC + DC	AC	Solder Post, X=1	SMA Female, X=2	BNC Female, X=3
8821DMFX-02	Male	Female		AS Shown Below	
8821DFFX-02	Female	Female			
8821DMMX-02	Male	Male			
8821DFMX-02	Female	Male			



### HOW TO ORDER:

Model Number: **8821DYYX-02**

Base Number \_\_\_\_\_  
 \_\_\_\_\_ DC Connector Type  
 1 = Solder Post  
 2 = SMA Female Conn.  
 3 = BNC Female Conn.

### Ordering Examples:

Model Number: **8821DFF2-02**  
 500 MHz - 2.5 GHz, DIN 7/16 Fem/Fem  
 SMA Female DC Connector Type

Note: Dimensions in Brackets are Expressed in Millimeters and are for Reference Only.  
 Design specifications are subject to change without notice.  
 Contact factory for technical specifications before purchasing or use.