

BIAS TEES 7/16 DIN

500 MHz - 2.5 GHz 100 V. / 7 A.



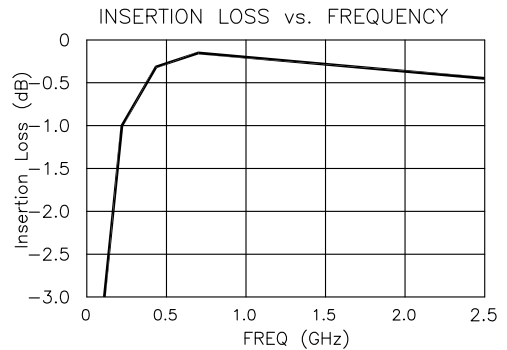
MODELS: 8820DMFX-02, 8820DMMX-02, 8820DFFX-02, 8820DFMX-02

SPECIFICATIONS:

Typical performance from 125 MHz – 2.5 GHz

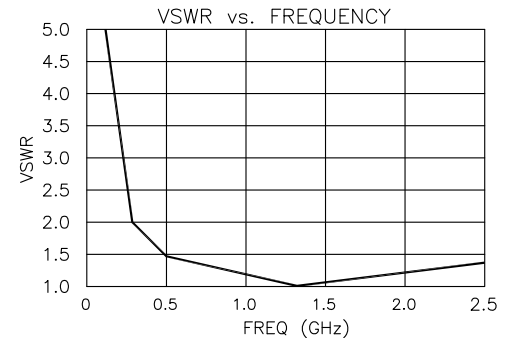
Electrical:

Frequency Range _____ 500 MHz – 2.5 GHz
 Insertion Loss _____ Typical _____ Maximum
 500 MHz – 2.5 GHz _____ 0.25 dB _____ 0.50 dB
 VSWR _____ Typical _____ Maximum
 500 MHz – 2.5 GHz _____ 1.25:1 _____ 1.50:1
 Isolation (RF to Bias Port) _____ > 20dB Typ.
 3dB Bandwidth _____ 150 MHz – 3.5 GHz
 Impedance _____ 50 Ohms
 Bias-Path Resistance _____ 0.008 Ohms Typ., 0.025 Ohms Max.
 DC Voltage _____ 100 VDC Max.
 DC Current _____ 7 Amps Max.
 RF Power _____ 50 Watts Max.



Environmental:

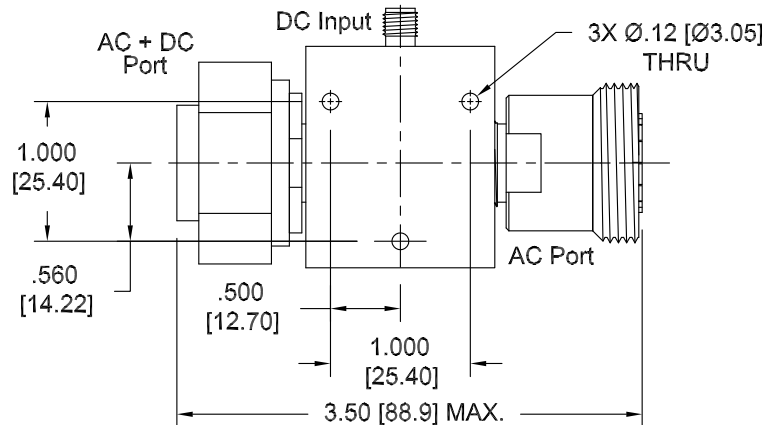
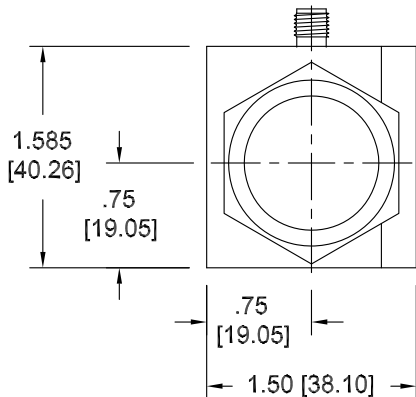
Operating Temperature Range _____ -55°C to +105°C
 Storage Temperature Range _____ -60°C to +90°C



Mechanical:

7/16 DIN Connectors _____ Silver or White Bronze
 Mates with DIN 47 223 _____ Plated Brass
 SMA Connectors _____ Passivated Stainless Steel
 Mates with MIL-STD-348
 BNC Connectors _____ Nickel Plated Brass
 Mates with MIL-STD-348
 Conductors _____ Gold, Silver or White Bronze
 _____ Plated Beryllium Copper
 Body _____ Aluminum with Chemical Conversion Coating

| Model Numbers | Connector Configuration Port | | DC Input Connector | | |
|---------------|------------------------------|--------|--------------------|-----------------|-----------------|
| | AC + DC | AC | Solder Post, X=1 | SMA Female, X=2 | BNC Female, X=3 |
| 8820DMFX-02 | Male | Female | | AS Shown Below | |
| 8820DFFX-02 | Female | Female | | | |
| 8820DMMX-02 | Male | Male | | | |
| 8820DFMX-02 | Female | Male | | | |



HOW TO ORDER:

Model Number: **8820DYYX-02**

Base Number | DC Connector Type
 | 1 = Solder Post
 | 2 = SMA Female Conn.
 | 3 = BNC Female Conn.

Ordering Examples:

Model Number: **8820DFF2-02**
 500 MHz – 2.5 GHz, DIN 7/16 Fem/Fem
 SMA Female DC Connector Type

Model Number: **8820DMF1-02**
 500 MHz – 2.5 GHz, DIN 7/16 Male/Fem
 Solder Post DC Connector Type

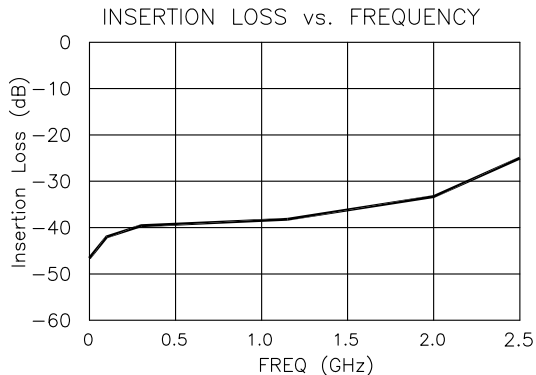
Note: Dimensions in Brackets are Expressed in Millimeters and are for Reference Only.
 Design specifications are subject to change without notice.
 Contact factory for technical specifications before purchasing or use.

PROPRIETARY NOTICE


THE INFORMATION CONTAINED
IN THIS DRAWING IS PROPRIETARY
AND SHALL NOT BE USED OR
DISCLOSED WITHOUT THE PRIOR
WRITTEN PERMISSION OF
API INMET, INC.

REVISIONS

| LTR | DESCRIPTION | DATE | DCN NO. |
|-----|----------------------|---------|----------|
| C | SEE REVISION HISTORY | 6/15/10 | 10-00179 |



NOTE: DIMENSIONS IN BRACKETS ARE EXPRESSED IN MILLIMETERS AND ARE FOR REFERENCE ONLY.

| | | | |
|---|------------------------|------------------|--|
| UNLESS OTHERWISE SPECIFIED DIMENSIONS ARE IN INCHES TOLERANCES DECIMAL ANGULAR .XX ± .01 ± .XXX ± .005 DO NOT SCALE DRAWING | CONTRACT NO. | |  300 DINO DRIVE ANN ARBOR, MI 48103 TELEPHONE (734) 426-5553 FACSIMILE (734) 426-5557 |
| | CHECKED EJM | DATE 4/15/05 | |
| MATERIAL: | ENGINEERING TK | DATE 4/14/05 | TITLE: OUTLINE DRAWING, BIAS TEE 500 MHz - 2.5 GHz, 100 V, 7 A 7/16 DIN CONN, MODEL 8820DXYZ-02 |
| | MANUFACTURING RB | DATE 4/15/05 | |
| FINISH | QUAL. ASSURANCE JBM | DATE 4/178/05 | SIZE FSCM NO. DWG. NO. A 64671 8820D |
| SIMILAR TO | WEIGHT (gr) | MARKETING NH | DATE 4/15/05 |
| | | SCALE 3/4 | RELEASE DATE |
| | | SHEET 2 OF 2 | |