

ATTENUATORS TYPE N

UP TO 18 GHz
50 WATTS



MODELS: XXN50WR-XX, XXN50WR-XXF, XXN50WR-XXM, XXN50WR-XXFM

SPECIFICATIONS:

Electrical:

Frequency Range _____ DC - 18.0 GHz
 Standard Freq. Values _____ 2.5, 6, 12.4 & 18 GHz
 Standard dB Values* _____ 3, 6, 10, 20, 30 & 40 dB
 Attenuation Accuracy DC - 6 GHz 6 - 12.4 GHz 12.4 - 18 GHz
 3, & 6 dB _____ ±0.75 dB _____ ±0.75 dB _____ ±0.75 dB
 10 & 20 dB _____ ±0.75 dB _____ ±0.75 dB _____ ±1.00 dB
 30 dB _____ ±0.75 dB _____ ±1.00 dB _____ ±1.25 dB
 40 dB _____ ±1.00 dB _____ ±1.25 dB _____ ±1.50 dB

VSWR

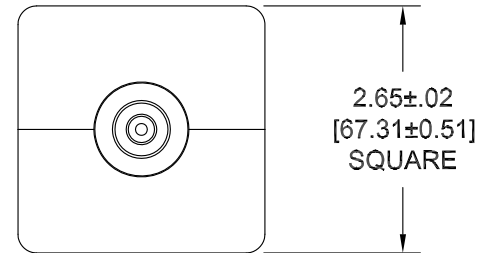
DC - 6 GHz _____ 1.25:1 Max.
 6 - 12.4 GHz _____ 1.35:1 Max.
 12.4 - 18 GHz _____ 1.45:1 Max.

Input Power _____ 50 Watts Avg. @ 25°C
 DERATED LINEARLY TO 10 WATTS @ +125°C

Peak Power _____ 500 Watts Max.
 (5uSec Pulse, .05% Duty Cycle)

Impedance _____ 50 Ohms

Operating Temp Range _____ -65°C to +125°C



END VIEW
TYPICAL

Units must be Mounted in such a way as to Allow for Free Air Flow Around fins as to Assure Performance.

Mechanical:

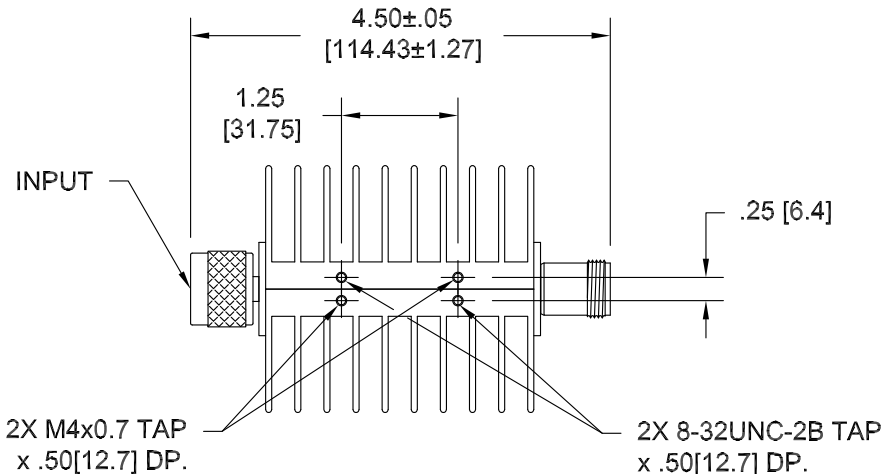
Type N Connectors _____ Passivated Stainless Steel
 Mates with MIL-STD-348
 Conductors _____ Gold Plated Beryllium Copper
 Housing _____ Anodized Aluminum

Note: Units are Unidirectional, Therefore Input Connector MUST be Specified & will be Indicated on Unit.

Model Number: **XXN50WR-XX**
 Male/Female Connectors
 Length: 4.50 ±.05 [114.2 ±1.3]
 Pictured

Model Number: **XXN50WR-XXF**
 Female/Female Connectors
 Length: 4.58 ±.05 [116.2 ±1.3]

Model Number: **XXN50WR-XXM**
 Male/Male Connectors
 Length: 4.41 ±.05 [112.0 ±1.3]



HOW TO ORDER:

Model Number: **XXN50WR-XXY**
 Freq. Range _____ dB Value
 2 = DC - 2.5 GHz
 6 = DC - 6 GHz
 12 = DC - 12.4 GHz
 18 = DC - 18 GHz
 Connector Config. _____
 = Male/Female (Male Input)
 F = Fem/Fem
 M = Male/Male
 FM = Female/Male (Female Input)

Ordering Examples:

Model Number: **18N50WR-20**
 DC - 18 GHz; 20 dB; Male/Fem (Male Input)
 Model Number: **6N50WR-02F**
 DC - 6 GHz; 2 dB; Fem/Fem
 Model Number: **6N50WR-02FM**
 DC - 6 GHz; 2 dB; Fem/Male (Female Input)

Note: Dimensions in Brackets are Expressed in Millimeters and are for Reference Only.

Design specifications are subject to change without notice.

Contact factory for technical specifications before purchasing or use.

XXN50WR-XX; REV A