

# ATTENUATORS TYPE N

UP TO 18 GHz  
50 WATTS



MODELS: XXN50W-XX, XXN50W-XXF, XXN50W-XXM, XXN50W-XXFM

## SPECIFICATIONS:

### Electrical:

Frequency Range \_\_\_\_\_ DC - 18.0 GHz  
 Standard Freq. Values \_\_\_\_\_ 2.5, 6, 12.4 & 18 GHz  
 Standard dB Values\* \_\_\_\_\_ 3, 6, 10, 20, 30 & 40 dB  
 Attenuation Accuracy DC - 6 GHz 6 - 12.4 GHz 12.4 - 18 GHz  
 3, & 6 dB \_\_\_\_\_ ±0.75 dB \_\_\_\_\_ ±0.75 dB \_\_\_\_\_ ±0.75 dB  
 10 & 20 dB \_\_\_\_\_ ±0.75 dB \_\_\_\_\_ ±0.75 dB \_\_\_\_\_ ±1.00 dB  
 30 dB \_\_\_\_\_ ±0.75 dB \_\_\_\_\_ ±1.00 dB \_\_\_\_\_ ±1.25 dB  
 40 dB \_\_\_\_\_ ±1.00 dB \_\_\_\_\_ ±1.25 dB \_\_\_\_\_ ±1.50 dB

### VSWR

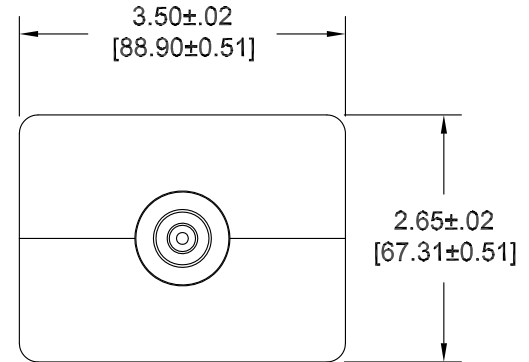
DC - 6 GHz \_\_\_\_\_ 1.25:1 Max.  
 6 - 12.4 GHz \_\_\_\_\_ 1.35:1 Max.  
 12.4 - 18 GHz \_\_\_\_\_ 1.45:1 Max.

Input Power \_\_\_\_\_ 50 Watts Avg. @ 25°C  
 DERATED LINEARLY TO 10 WATTS @ +125°C

Peak Power \_\_\_\_\_ 500 Watts Max.  
 (5uSec Pulse, .05% Duty Cycle)

Impedance \_\_\_\_\_ 50 Ohms

Operating Temp Range \_\_\_\_\_ -65°C to +125°C



END VIEW  
TYPICAL

Units must be Mounted in such a way as to Allow for Free Air Flow Around fins as to Assure Performance.

### Mechanical:

Type N Connectors \_\_\_\_\_ Passivated Stainless Steel  
 Mates with MIL-STD-348  
 Conductors \_\_\_\_\_ Gold Plated Beryllium Copper  
 Housing \_\_\_\_\_ Anodized Aluminum

Note: Units are Unidirectional, Therefore Input Connector MUST be Specified & will be Indicated on Unit.

Model Number: **XXN50W-XX**

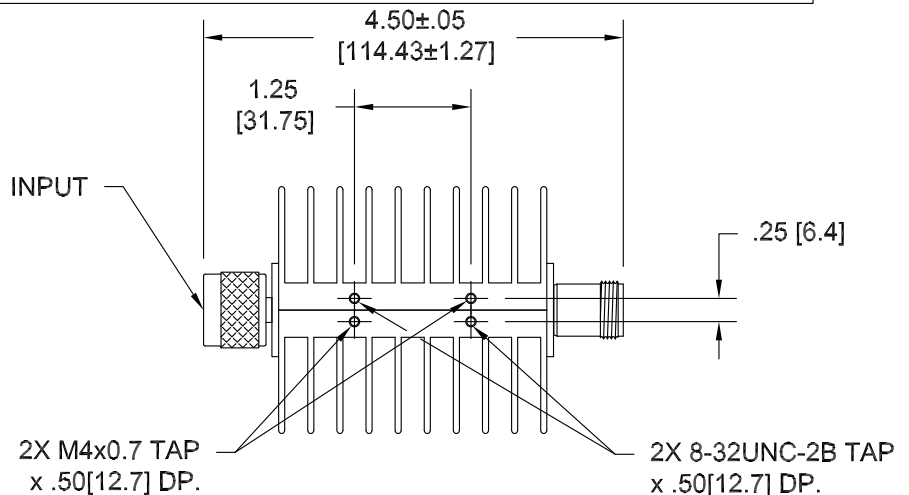
Male/Female Connectors  
 Length: 4.50 ±.05 [114.2 ±1.3]  
 Pictured

Model Number: **XXN50W-XXF**

Female/Female Connectors  
 Length: 4.58 ±.05 [116.2 ±1.3]

Model Number: **XXN50W-XXM**

Male/Male Connectors  
 Length: 4.41 ±.05 [112.0 ±1.3]



## HOW TO ORDER:

Model Number: **XXN50W-XXY**

dB Value

Freq. Range

Connector Config.

2 = DC - 2.5 GHz  
 6 = DC - 6 GHz  
 12 = DC - 12.4 GHz  
 18 = DC - 18 GHz

= Male/Female (Male Input)  
 F = Fem/Fem  
 M = Male/Male  
 FM = Female/Male (Female Input)

### Ordering Examples:

Model Number: **18N50W-20**  
 DC - 18 GHz; 20 dB; Male/Fem (Male Input)

Model Number: **6N50W-02F**  
 DC - 6 GHz; 2 dB; Fem/Fem

Model Number: **6N50W-02FM**  
 DC - 6 GHz; 2 dB; Fem/Male (Female Input)

Note: Dimensions in Brackets are Expressed in Millimeters and are for Reference Only.

Design specifications are subject to change without notice.

Contact factory for technical specifications before purchasing or use.

XXN50W-XX; REV F