

ATTENUATORS SMA

UP TO 18 GHz
50 WATTS

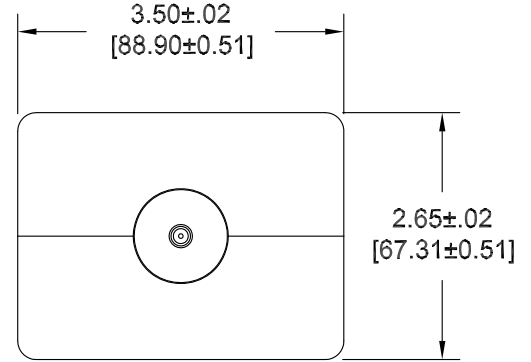


MODELS: XXB50W-XX, XXB50W-XXF, XXB50W-XXM, XXB50W-XXFM

SPECIFICATIONS:

Electrical:

Frequency Range _____ DC - 18.0 GHz
 Standard Freq. Values _____ 2.5, 6, 12.4 & 18 GHz
 Standard dB Values* _____ 3, 6, 10, 20, 30 & 40 dB
 Attenuation Accuracy DC - 6 GHz 6 - 12.4 GHz 12.4 - 18 GHz
 3, & 6 dB _____ ±0.75 dB _____ ±0.75 dB _____ ±0.75 dB
 10 & 20 dB _____ ±0.75 dB _____ ±0.75 dB _____ ±1.00 dB
 30 dB _____ ±0.75 dB _____ ±1.00 dB _____ ±1.25 dB
 40 dB _____ ±1.00 dB _____ ±1.25 dB _____ ±1.50 dB
 VSWR
 DC - 6 GHz _____ 1.25:1 Max.
 6 - 12.4 GHz _____ 1.35:1 Max.
 12.4 - 18 GHz _____ 1.45:1 Max.
 Input Power _____ 50 Watts Avg. @ 25°C
 DERATED LINEARLY TO 10 WATTS @ +125°C
 Peak Power _____ 500 Watts Max.
 (5uSec Pulse, .05% Duty Cycle)
 Impedance _____ 50 Ohms
 Operating Temp Range _____ -65°C to +125°C



END VIEW
TYPICAL

Mechanical:

SMA Connectors _____ Passivated Stainless Steel
 Mates with MIL-STD-348
 Conductors _____ Gold Plated Beryllium Copper
 Housing _____ Anodized Aluminum

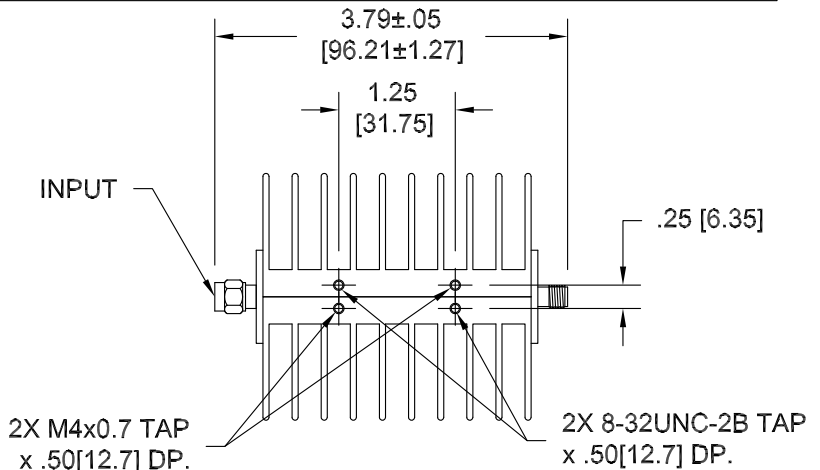
Units must be Mounted in such a way as to Allow for Free Air Flow Around fins as to Assure Performance.

Note: Units are Unidirectional, Therefore Input Connector MUST be Specified & will be Indicated on Unit.

Model Number: **XXB50W-XX**
 Male/Female Connectors
 Length: 3.79 ±.05 [96.1 ±1.3]
 Pictured

Model Number: **XXB50W-XXF**
 Female/Female Connectors
 Length: 3.66 ±.05 [92.8 ±1.3]

Model Number: **XXB50W-XXM**
 Male/Male Connectors
 Length: 3.92 ±.05 [99.4 ±1.3]



HOW TO ORDER:

Model Number: **XXB50W-XXY**

dB Value	
Freq. Range	Connector Config.
2 = DC - 2.5 GHz	= Male/Female (Male input)
6 = DC - 6 GHz	F = Fem/Fem
12 = DC - 12.4 GHz	M = Male/Male
18 = DC - 18 GHz	FM = Female/Male (Female Input)

Ordering Examples:

Model Number: **18B50W-20**
 DC - 18 GHz; 20 dB; Male/Fem (Male Input)

Model Number: **6B50W-02F**
 DC - 6 GHz; 2 dB; Fem/Fem

Model Number: **2B50W-10FM**
 DC - 2.5 GHz; 10 dB; Fem/Male (Female Input)

Note: Dimensions in Brackets are Expressed in Millimeters and are for Reference Only.
 Design specifications are subject to change without notice.
 Contact factory for technical specifications before purchasing or use.