

Fixed Coaxial Attenuators

Model 74 Medium Power, 3.5mm Connectors

dc to 28.0 GHz
 25 Watts



Features

- /// **Compact Construction** - Lowest size/power ratio.
- /// **Precision injection molded connectors.**
- /// **Designed to meet environmental requirements of MIL-DTL-3933.**
- /// **Low SWR Design.**

Specifications

NOMINAL IMPEDANCE: 50 Ω

FREQUENCY RANGE: dc to 28 GHz

MAXIMUM DEVIATION OVER FREQUENCY:

Nominal ATTN (dB)	Deviation (dB)
3	± 0.70
6, 10	± 1.00
20, 30	± 1.50

MAXIMUM SWR:

Frequency (GHz)	SWR
dc - 18	1.30
18 - 28	1.35

POWER RATING: 25 watts **average (unidirectional)** to 25°C ambient temperature, derated linearly to 2.5 Watt @ 125°C. 500 watts **peak** (5 μsec pulse width; 2.5% duty cycle). Maximum power rating into output is 10% of the average power rating.

POWER COEFFICIENT: <0.0006 dB/dB/watt

TEMPERATURE COEFFICIENT: <0.0004 dB/dB/°C

TEMPERATURE RANGE: -55°C to 125°C

TEST DATA: Swept data plots of attenuation and SWR from 50 MHz to 28 GHz. .

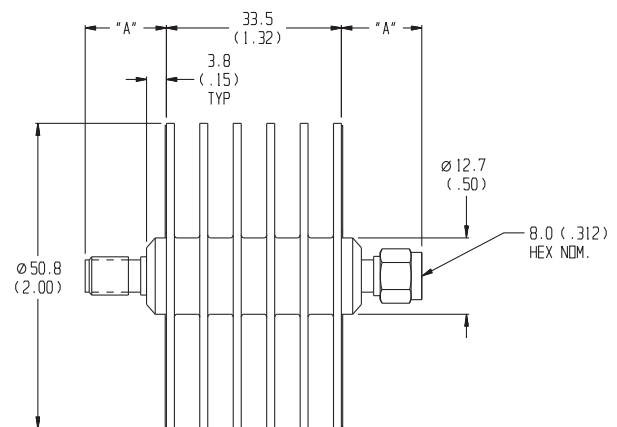
CONNECTORS: 3.5mm (Male/Female) connectors - mate nondestructively with SMA per MIL-C-39012, 2.92mm and other 3.5mm connectors.

Connector Options	Type/Description
1	3.5mm, Female
2	3.5mm, Male

CONSTRUCTION: Black, finned aluminum body, gold plated beryllium copper contacts.

WEIGHT: 100 g (3.5 oz.) maximum

PHYSICAL DIMENSIONS:



Connector	DIM A
3.5mm Male	16.0 (0.63)
3.5mm Female	15.0 (0.59)

NOTE: All dimensions are given in mm (inches) and are maximum, unless otherwise specified.

MODEL NUMBER DESCRIPTION:

Example:

74 - XX - XX

Basic Model Number

Attenuation Value (dB)

Connector Options
 1st digit is input side
 2nd digit is output side