

## Model 68 High Power, N or SMK Connectors Convection Cooled

dc to 4.0 GHz  
 100 Watts



### Features

- /// Precision Connectors with high temperature support beads.
- /// Low Intermodulation option available
- /// Designed to meet environmental requirements of MIL-DTL-3933.
- /// 10 Kilowatts peak, Convection Cooled
- /// Wireless Applications - Optimized for use in the communications bands.

### Specifications

**NOMINAL IMPEDANCE:** 50 Ω  
**FREQUENCY RANGE:** dc to 4.0 GHz

MAXIMUM DEVIATION OVER FREQUENCY:		
Nominal ATTN (dB)	68	68-LIM
1, 2	± 1.00	-----
3, 6,	± 1.25	-----
10, 20, 30	± 1.25	+2.00/-1.00
40	± 2.00	± 2.00

MAXIMUM SWR:	
Frequency (GHz)	SWR
dc - 4	1.20

**POWER RATING (mounted horizontally):** 100 watts average (unidirectional) to 25°C ambient temperature, derated linearly to 10 watts @ 125°C. 10 kilowatts peak (5 μsec pulse width; 0.5% duty cycle). Maximum power rating into output port is 10% of the average power rating.

**POWER COEFFICIENT:** <0.00015 dB/dB/watt

**TEMPERATURE COEFFICIENT:** <0.0004 dB/dB/°C

**TEMPERATURE RANGE:** -55°C to 125°C

**TEST DATA:** Swept data plots of attenuation and SWR from 50 MHz to 4 GHz is available at additional cost.

**CONNECTORS:** Type N connectors per MIL-STD-348 interface dimensions - mate nondestructively with MIL-C-39012 connectors. SMK (2.92mm) connectors - mate nondestructively with SMA per MIL-C-39012, 3.5mm, SMK, and other 2.92mm connectors.

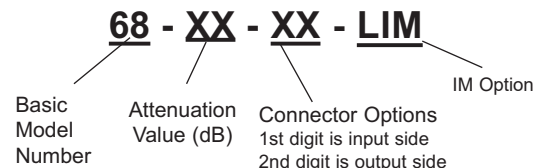
Options	Description	Options	Description
1	SMK, Female	3	Type N, Female
2	SMK, Male	4	Type N, Male

**CONSTRUCTION:** Aluminum alloy body, stainless steel connectors; gold plated beryllium copper contacts.

**WEIGHT:** 500 g (18 oz.) maximum

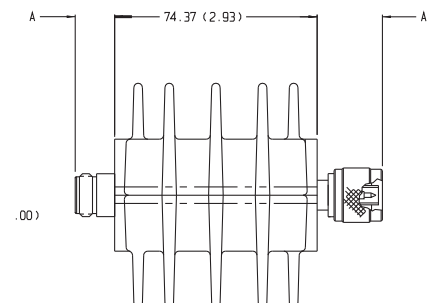
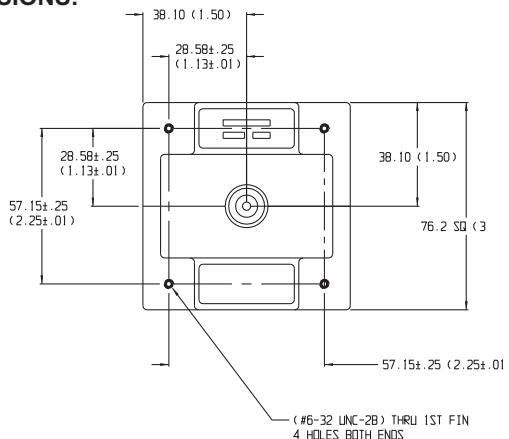
**MODEL NUMBER DESCRIPTION:**

Example:



### PHYSICAL DIMENSIONS:

3rd ORDER INTERMODULATION (68-XX-XX-LIM only): Reflected Levels (IM3), -100 & Through Levels (IM3), -110 dBc with two input signals @ 869 MHz and 891 MHz with average carrier power levels of +43 dBm each. LIM options available on 10, 20, 30 and 40 db only.



Connector	DIM A	Connector	DIM A
N Male	22.9 (0.90)	2.92mm Male	14.0 (0.55)
N Female	15.0 (0.59)	2.92mm Female	12.7 (0.50)

NOTE: All dimensions are given in mm (inches) and are maximum, unless otherwise specified.