

Fixed Coaxial Attenuators

Model 65 High Power, N or SMK Connectors Conduction/Convection Cooled

dc to 2.5 GHz
 150 Watts



Features

- /// **Compact Construction** - Lowest size/power ratio.
- /// **Flexible Mounting Position** - The units may be mounted in horizontal (fins up) or vertical position.
- /// **Rugged Construction** - Quality connectors with special high temperature support beads.

Specifications

NOMINAL IMPEDANCE: 50 Ω

FREQUENCY RANGE: dc to 2.5 GHz

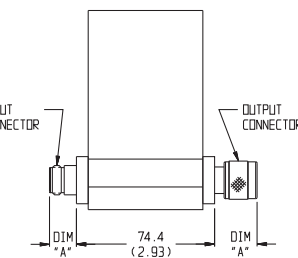
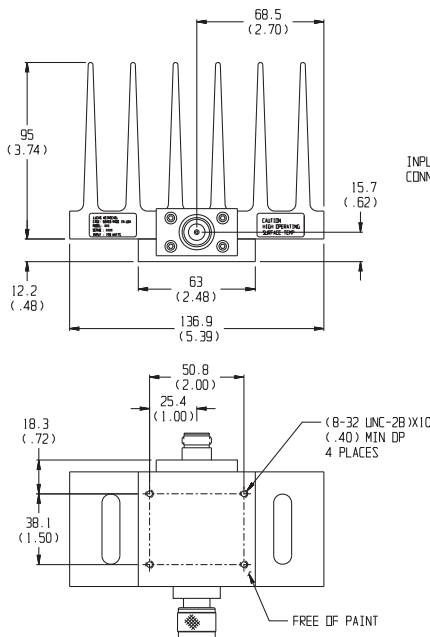
MAXIMUM DEVIATION OVER FREQUENCY:

Nominal ATTN (dB)	Deviation (dB)
3, 6, 10, 20, 30	± 1.00

MAXIMUM SWR:

Frequency (GHz)	SWR
dc - 2.5	1.20

PHYSICAL DIMENSIONS:



Connector	DIM A	Connector	DIM A
N Male	22.9 (0.90)	2.92mm Male	14.0 (0.55)
N Female	15.0 (0.59)	2.92mm Female	12.7 (0.50)

NOTE: All dimensions are given in mm (inches) and are maximum, unless otherwise specified.

POWER RATING 150 watts **average** (unidirectional), 10 kilowatts **peak** (5 μsec pulse width; 0.75 % duty cycle) with case temperature held within **100 °C maximum** with appropriate convection cooling and/or conductive heat sink. Maximum power rating into output port is 20 watts average.

POWER COEFFICIENT: <0.0001 dB/dB/watt

TEMPERATURE COEFFICIENT: <0.0004 dB/dB/°C

TEMPERATURE RANGE: -55°C to 100°C (case temp.)

TEST DATA: Swept data plots of attenuation and SWR from 50 MHz to 2.5 GHz.

CONNECTORS: Type N connectors per MIL-STD-348 interface dimensions - mate nondestructively with MIL-C-39012 connectors. SMK (2.92mm) connectors - mate nondestructively with SMA per MIL-C-39012, 3.5mm, SMK, and other 2.92mm connectors.

Options	Description	Options	Description
1	SMK Female	3	Type N Female
2	SMK Male	4	Type N Male

CONSTRUCTION: Aluminum alloy body, stainless steel connectors; gold plated beryllium copper contacts.

WEIGHT: 850 g (1 lbs., 14 oz.) maximum

MODEL NUMBER DESCRIPTION:

Example:

